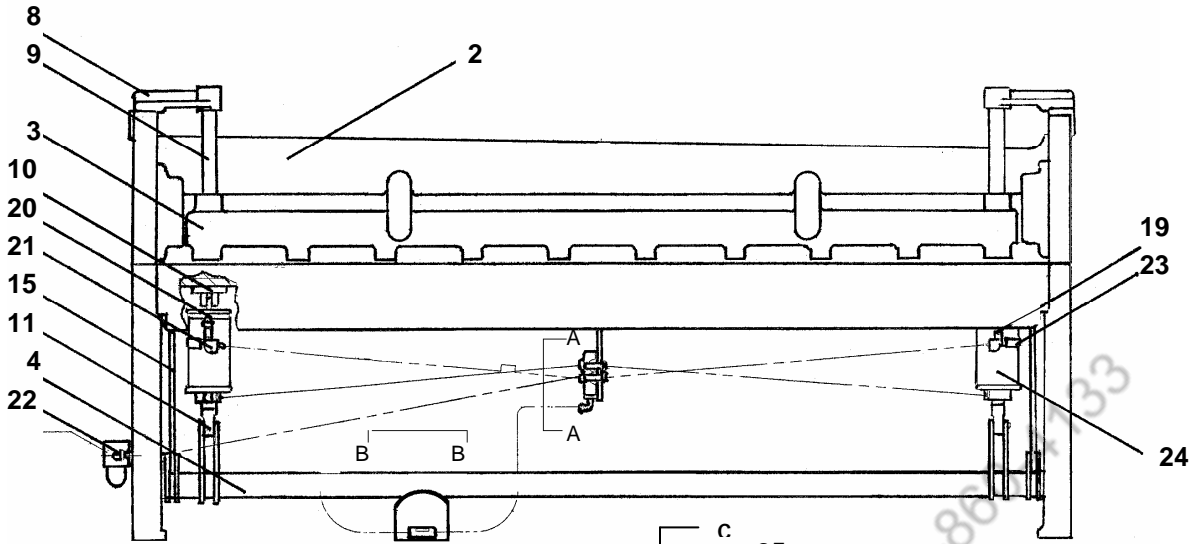


AIR SHEARS

A-72, A-96, A-120, A-144, A-168



Item No.	Qty.	Description	Part No.
1	1	Table	Det. F
2	1	Knife Bar	Det. G
3	1	Holddown Bar	Det. H
4	1	Torque Tube	Det. I
5	1	Back Gauge Stop	Det. J
6	1	LH End Frame	7H-3
7	2	Table Extension	2
8	2	Spring Bracket	7H-28
9	2	Spring Housing	7HS-53
10	2	Air Cyl. Pivot Bearing	5YS-195
11	2	Knuckle (Hannifin 69091)	5YS-199
12	1	RH End Frame	7H-2
13	1	Valve Bracket	7SS-272
14	2	Knife Bar Gib	7H-6
15	1	RH Pull Rod	Det. K
16	1	LH Pull Rod	Det. L
17	1	Foot Valve Housing	5Y-154
18	1	Fil, Reg. Lub. Unit	
19	4	3/8 Blk. Pipe 4-1/2" Long	
20	4	1/2 Male - 3/8 Female St. Elbow	
21	2	Pneutrol EV-375 Exh. Valve	
22	2	3/8 Street Elbow	
23	4	Tiny Tim EM-3 Air Muff.	
24	1	T&J #S-3-5B-9S-Ir-NC Cyl.	
25	1	AAA #RO-3 4-Way Valve	
26	3	3/8 Tee Fitting	
27	2	3/8 Blk. Pipe 2" long	
28	10	3/8 Push Lok Fittings	
29	1	3/8-1/4 Bushing	
30	4	1/4 Push Lok Fittings	
31	1	1/8 Male-1/4 Female St. Elbow	
32	1	Norgren # N3C-F-S Foot Valve	
33		1/4 Push Lok Hose	
34		3/8 Push Lok Hose	
35	2	Rack	7HS-197
36	2	Adapter Lug	7H-176
37	1	RH Back Gauge Housing	7H-177
38	2	Back Gauge Support	FOS-45
39	1	LH Back Gauge Housing	7H-477

