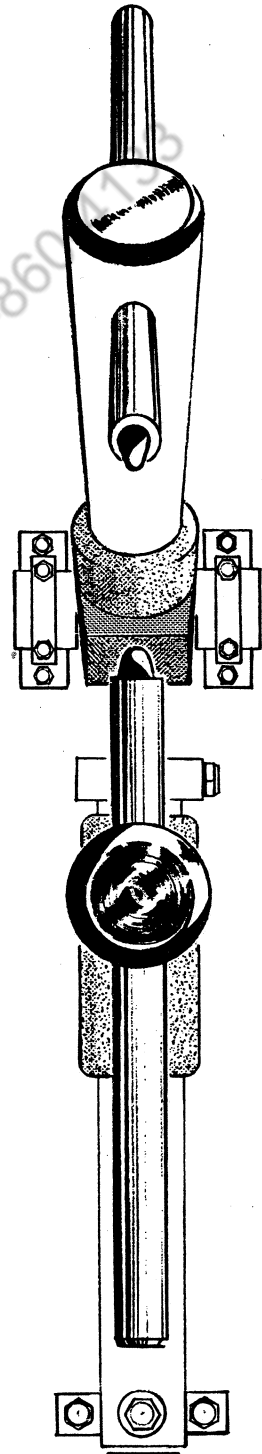




WESTERN ARCTRONICS

SPOT WELDERS



Parts List

165 SERIES-10 15 30 40 50 KVA

Effective above Ser. No. 2000

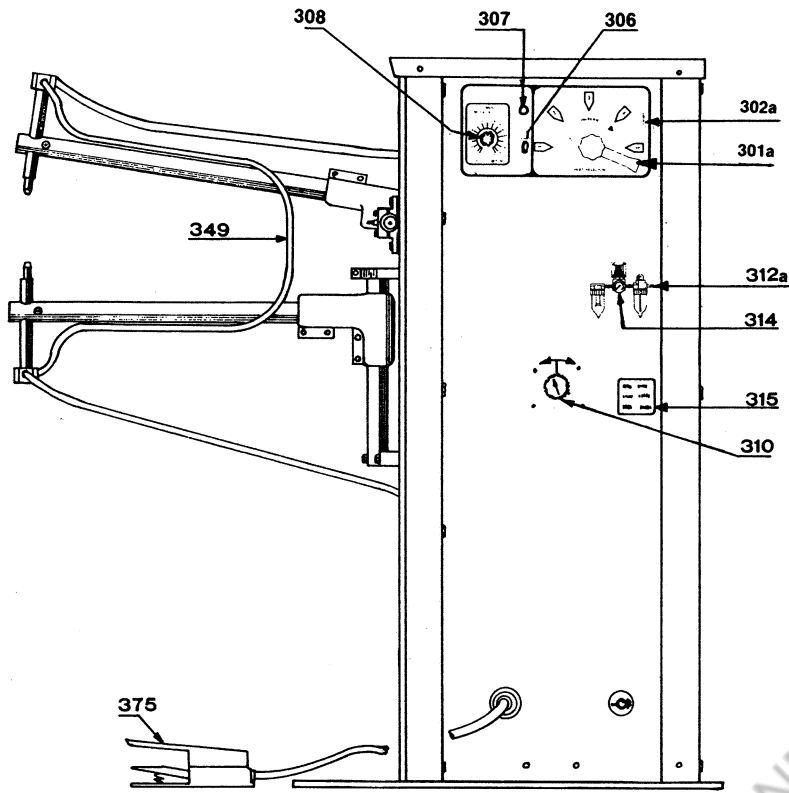


FIG. 1 A

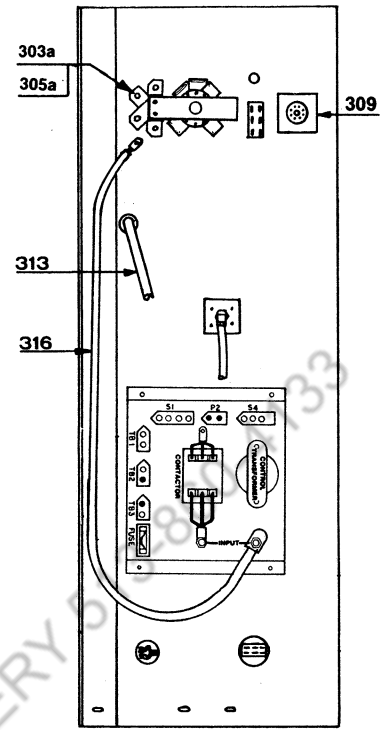


FIG. 2 A

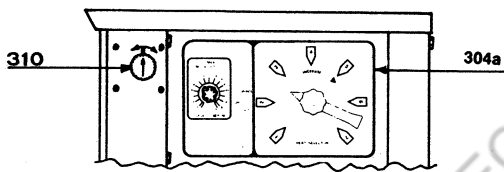


FIG. 1 B

SHOWING LOCATION OF PRESSURE SWITCH ON 30 & 40 KVA MODELS.

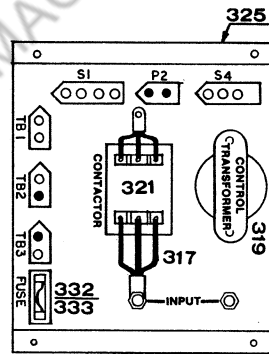


FIG. 20 INSTRUMENT PANEL CT/AO.

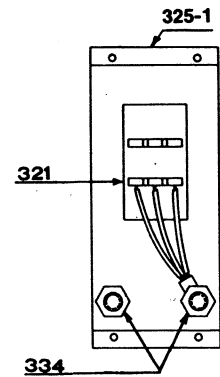
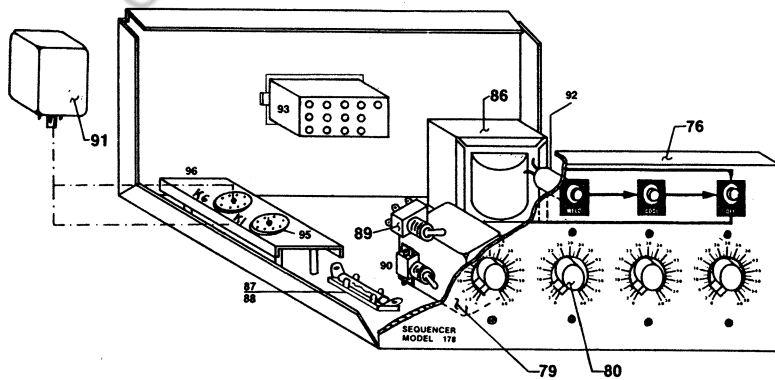


FIG. 2 C

SEQUENCER STYLE "178-A" FOR FA MODELS



ITEM #	PART NO.	DESCRIPTION
75	11085	ASSY SEQUENCER
76	11086	CASE FRONT, BOTTOM AND REAR
77	11087	CASE TOP AND SIDES
79	A1345	ELECTRONIC TIMERS ET 76
80	A1345-A	TIMER KNOB
82	A1345-B	TIMER SHELL (FIBRE TUBE)
86		CONTROL X-FORMER
87	153-2430	FUSE HOLDER
88	153-2504	FUSE 1.0 AMP
89	151-7308	SWITCH (Operate/Test) DP.D.T.
90	151-7325	SWITCH (Repeat/Non-Repeat) SP. ST.
91	153-6714	RELAY, DP.D.T. (Plug-in Type)
92	151-4502	INDICATOR LAMPS
93	155-1033	TERMINAL BLOCK 15 PIN
94	10865	TIMER MOUNTING BRACKETS
95	155-1032	SOCKET, 8 Pin Female
96	11078	RELAY, MOUNTING BRACKET

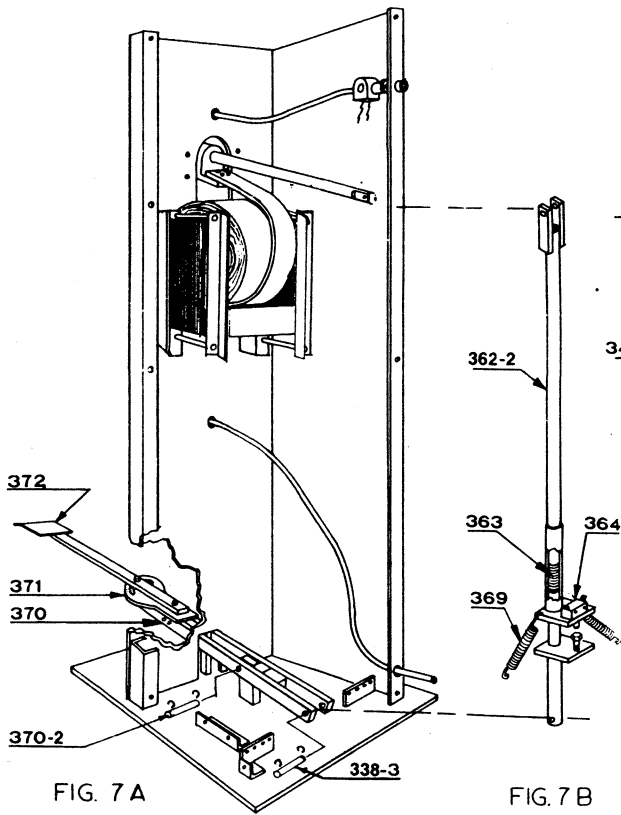


FIG. 7 A

FIG. 7 B

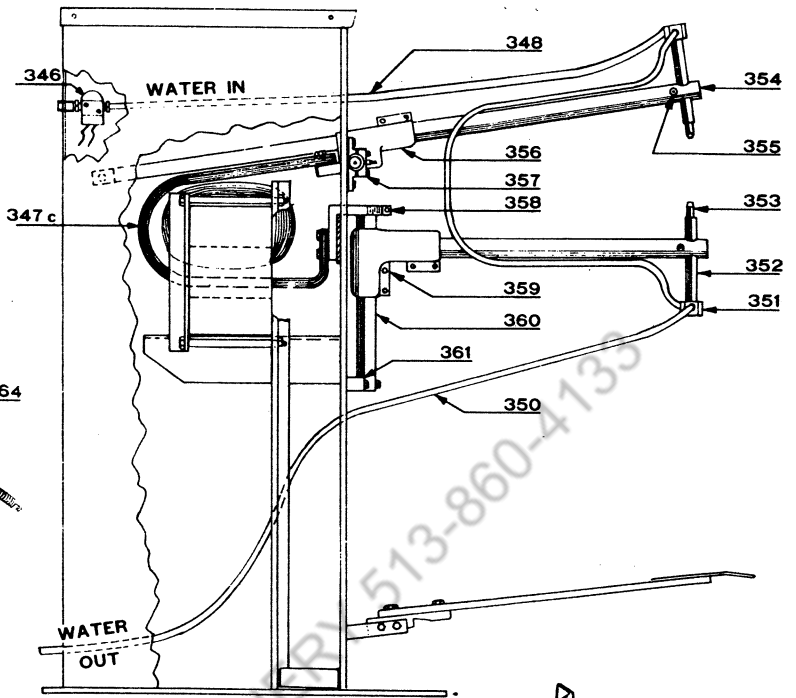


FIG. 4

(A) TWO-STAGE HEATSWITCH *

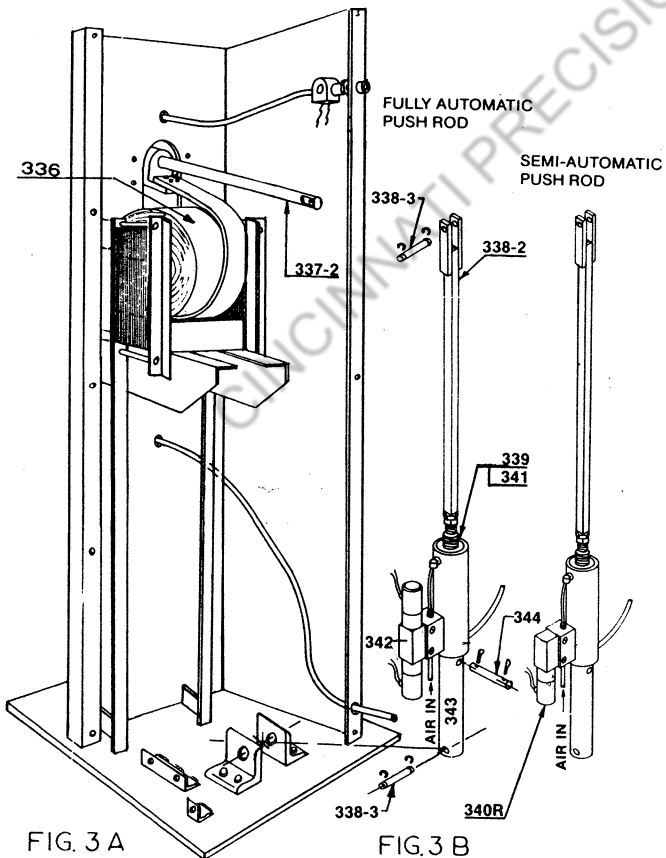
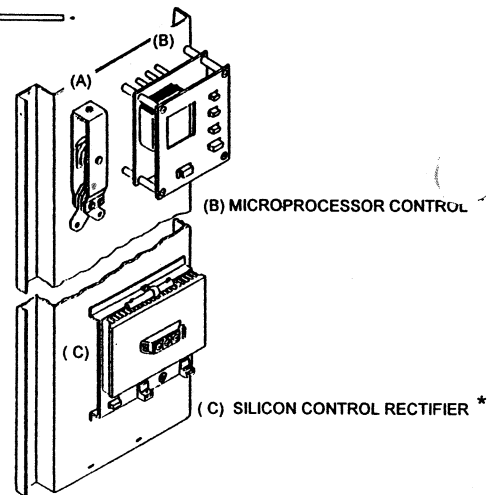
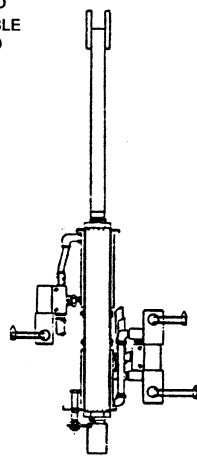


FIG. 3 A

FIG. 3 B

THREADED *
ADJUSTABLE
PUSH ROD

OPTIONAL *
HI-PRODUCTION
AIR SYSTEM



WHEN ORDERING PARTS, ALWAYS STATE MODEL OF UNIT, STYLE OF UNIT, AND SERIAL NUMBER
I.E. MODEL 15 KVA. CT (FOOT OPERATED) . SERIAL NO.
MODEL 15 KVA. SA (SEMI AUTOMATIC) . SERIAL NO.
MODEL 15 KVA. FA (FULLY AUTOMATIC) . SERIAL NO.

REFER TO PARTS PRICE SHEET FOR PROPER PART NUMBERS, DESCRIPTION, AND PRICES
I.E. ITEM #309, PART NO. A1345 ELECTRONIC TIMER, ET 76

* CONTACT YOUR DISTRIBUTOR FOR INFORMATION

PARTS PICTORIAL
10 15 30 40 50 KVA SPOT WELDERS
165 SERIES



WESTERN ARCTRONICS

1828 LA PORTE AVENUE
P.O. BOX 1306, FORT COLLINS, CO 80522

PARTS LIST MODEL 30 KVA SPOT WELDERS

CAT #	ITEM	PART #	DESCRIPTION	CT SA FA
0900 -E	301a	15374	KNOB, HEAT CONTROL SWITCH	CT SA FA
0929 -E	302a	10915-1	COVER PLATE	CT SA FA
0931 -E	303a	29165	5 POSITION HEAT RANGE SWITCH	CT SA FA
0908 -E	306	151-7308	TEST/OPERATE SWITCH	CT SA FA
0909 -E	307	151-4514	PILOT LIGHT	CT SA FA
0911 -E	309	153-6711	ELECTRONIC TIMER	CT SA
1062 -E	310	151-7386	AIR PRESSURE SWITCH	SA FA
1421 -E	310	148-4335	KNOB, AIR PRESSURE SWITCH	SA FA
0914 -E	311	A1302	AIR HOSE (CYLINDER-PRESSURE SWITCH)	SA FA
0916 -E	312a	148-6720	AIR FILTER/REGULATOR-LUBRICATOR	SA FA
0917 -E	313	A1301	AIR HOSE (AIR F/R AIR VALVE)	SA FA
0918 -E	314	148-6719-2	AIR PRESSURE GAUGE	SA FA
0922 -E	315	10899	SPECIFICATION DECAL	CT SA FA
1078 -E	316	10833	LEAD CABLE	CT SA FA
0924 -E	317	10832	WIRE SET, CONTACTOR	CT SA FA
0926 -E	319	153-7900	CONTROL TRANSFORMER 230V	CT SA FA
0927 -E	319a	153-7940	CONTROL TRANSFORMER 460V	CT SA FA
1079 -E	321	151-1015	CONTACTOR (3 POLE)	CT SA FA
1170 -E	321	151-2005	SCR	CT SA FA
1165 -E	321	153-6714	RELAY (DP/ST) PLUG IN TYPE	CT SA FA
1167 -E	321	155-3212	RECEPTACLE SOCKET	CT SA FA
1174 -E	321	151-6716	AM-8 FIRING MODULE	CT SA FA
1175 -E	321	151-6717	VARISTOR (CKE 2550LA 40A-2P)	CT SA FA
0945 -E	332	153-2430	FUSE HOLDER	CT SA FA
0946 -E	333	153-2504	FUSE 1.0 AMP	CT SA FA
1084 -E	336b	10950	TRANSFORMER (CORE W/PRI COIL)	CT SA FA
1085 -E	337-2	10981	ROCKER ARM LEVER	CT SA FA
1067 -E	338-2	10882	PUSHROD	SA FA
1068 -E	338-3	10887	PIN (1/2" DIA.) W/TRUARC RINGS	CT SA FA
1069 -E	339A	148-1000-A	AIR CYLINDER W/VALVE (MAC)	SA
1070 -E	340-R	148-1005-A	AIR VALVE (MAC)	SA
1071 -E	341-A	148-1010-A	AIR CYLINDER W/VALVE (MAC)	FA
0963 -E	342	148-1006-A	AIR VALVE (MAC)	FA
0964 -E	342	148-1302	COIL FOR AIR VALVE	SA FA
0965 -E	339	148-1001	AIR CYLINDER 2"	SA FA
0966 -E	339	148-1002	AIR CYLINDER 2-1/2"	SA FA
1072 -E	343	10987	SUPPORT TUBE, AIR CYLINDER	SA FA
1073 -E	344	10986	PIN, CYLINDER MTG. (5/16" DIA)	SA FA
0968 -E	346	148-8110	WATER VALVE	CT SA FA
0975 -E	347b	10958	SECONDARY COIL (COPPER STRAPS)	CT SA FA
0980 -E	348	142-8510a	WATER HOSE, UPPER	CT SA FA
0981 -E	349	142-8510b	WATER HOSE, CENTER	CT SA FA
0982 -E	350	142-8510c	WATER HOSE, LOWER	CT SA FA

PLEASE NOTE: MINIMUM ORDER \$25.00

**PARTS LIST
MODEL 30 KVA SPOT WELDERS**

CAT #	ITEM	PART #	DESCRIPTION	CT SA FA
	351		WATER HEAD ASSEMBLY	CT SA FA
	352		TIP HOLDER	CT SA FA
	353		ELECTRODE TIPS	CT SA FA
	354		ARM, UPPER AND LOWER	CT SA FA
	355		LOCK ASSEMBLY	CT SA FA
0986 -E	356a	C803	ROCKER ARM CASTING	CT SA FA
0989 -E	357a	148-0502	PILLOW BLOCK	CT SA FA
0994 -E	358a	B970E	COIL CONNECTOR CASTING	CT SA FA
0957 -E		10844	INSULATOR PLATE	CT SA FA
0959 -E		148-7206	BUSHING, NYLON	CT SA FA
0960 -E		134-09966	WASHER, NYLON	CT SA FA
1000 -E	359a	C782	STATIONARY CASTING	CT SA FA
1004 -E	360a	A1291	VERTICAL ARM	CT SA FA
1007 -E	361a	A1290	SUPPORT, LOWER (VERTICAL ARM)	CT SA FA
1082 -E	362-2	10885	PUSHROD ASSEMBLY	CT
1011 -E	363	148-7304	SPRING, COMPRESSION	CT
1012 -E	364	151-7304	SWITCH, MICRO	CT
1020 -E	369	148-7306	SPRING EXTENSION 72559 (2)	CT
1025 -E	370b	10936	ACTUATING LEVER	CT
1026 -E	371	B774	SWIVEL CASTING	CT
1028 -E	372	A975	FOOT PEDAL ASSEMBLY	CT
1033 -E	375	151-7311	FOOT SWITCH, COMBINATION (DP/DT)	SA FA
1077 -E	375	10792	CORDSET (18-6X6' W/6 BLADE PLUG)	SA FA
1098 -E	375	10793	CORDSET (18-6X6') AFTER SER #FH709	SA FA

SEQUENCER PARTS

1150 -E	75	11085	ASSEMBLY SEQUENCER STYLE "178"
1151 -E	76	11086	CASE FRONT, BOTTOM AND REAR
1152 -E	77	11087	CASE TOP AND SIDES
1153 -E	78	11083	TERMINAL BOARD W/TERMINALS
0911 -E	79	153-6711	ELECTRONIC TIMER
0926 -E	86	153-7900	CONTROL TRANSFORMER 230/115V
0927 -E	86	153-7940	CONTROL TRANSFORMER 460/115V
0945 -E	87	153-2430	FUSE HOLDER
0946 -E	88	153-2504	FUSE 1.0 AMP
0908 -E	89	151-7308	SWITCH, OPERATE/TEST (DP/DT)
1164 -E	90	151-7385	SWITCH, REPEAT/NON-REPEAT (SP/ST)
1165 -E	91	153-6714	RELAY, (DP/ST) PLUG-IN TYPE
0909 -E	92	151-4514	INDICATOR LAMPS