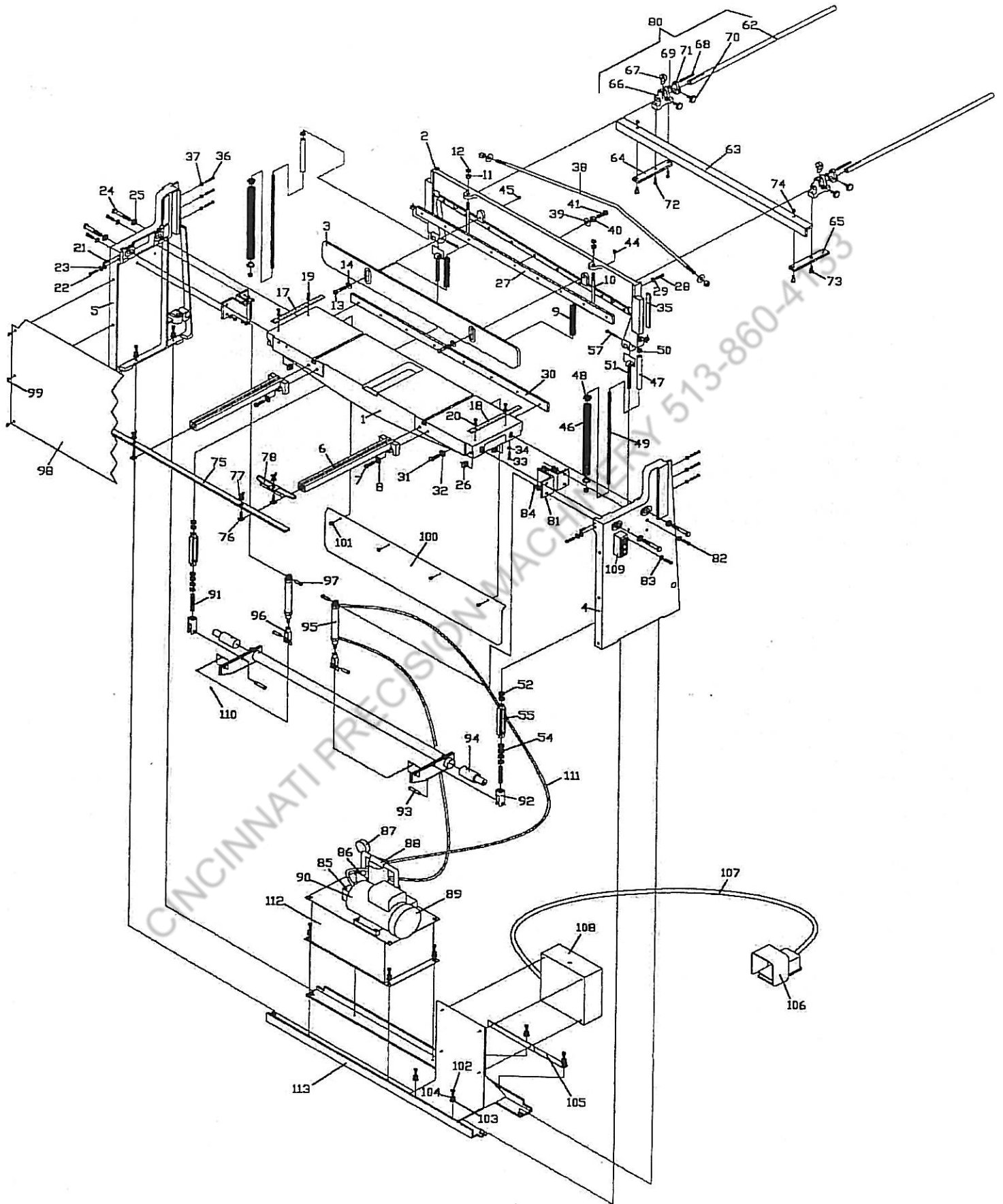


# Model 52H Machine View



## Model 52H Parts List

INDEX

NO.	52H	DESCRIPTION	QTY.	NO.	52H	DESCRIPTION	QTY.
1	10151	TABLE	1	84	05543	NUT, CYLINDER BRKT.	8
2	10152	CUTTER BAR	1	85	62551	HYDRUALIC PUMP	1
3	10153	HOLDDOWN	1	86	62552	HYDRUALIC VALVE	1
4	10051	R.H. SIDE PANEL	1	87	62553	PRESSURE GAUGE	1
5	10052	L.H. SIDE PANEL	1	88	62554	SOLENOID VALVE	1
6	10053	FRONT ARM EXT.	2	89	62555	MOTOR	1
7	05055	SCREW, FRONT ARM EXT.	4	90	62556	COUPLING, MOTOR	1
8	05673	WASHER, FRONT ARM EXT.	4	91	10302	STUD, TURNBUCKLE	2
9	10054	SPRING, HOLDDOWN	2	92	10303	CLEVIS, FOOT PEDAL	2
10	10164	STUD, HOLDDOWN SPRING	2	93	05544	PIN, FOOT PEDAL CLEVIS	2
11	05880	NUT, HOLDDOWN STUD	2	94	10304	PIN, PEDAL BAR	2
12	05907	CAP NUT, HOLDDOWN STUD	2	95	62590	HYDRUALIC CYLINDER	2
13	05060	SCREW, HOLDDOWN	2	96	62591	CLEVIS, CYLINDER	2
14	05673	WASHER, HOLDDOWN SCREW	2	97	62592	PIN, CYLINDER	4
17	10055	SCALE, L.H. TABLE	1	98	10305	GUARD PANEL, FRONT	1
18	10056	SCALE, R.H. TABLE	1	99	05545	SCREW, FRONT PANEL GUARD	6
19	05021	SCREW, TABLE SCALE	4	100	10306	PANEL GUARD, REAR	1
20	05639	WASHER, TABLE SCREW	4	101	05546	SCREW, REAR PANEL GUARD	4
21	05327	SET SCREW, TABLE ADJ.	2	102	05547	SCREW, MOUNTING	12
22	05035	SCREW, TABLE LOCK	2	103	05548	WASHER, MOUNTING	12
23	05670	WASHER, TABLE LOCK SCREW	4	104	05549	NUT, MOUNTING	12
24	05075	BOLT, TABLE	4	105	10307	SUPPORT PLATE, MOUNTING	1
25	05676	WASHER, TABLE BOLT	4	106	45061	FOOT SWITCH	1
26	05925	NUT, TABLE	4	107	45062	CORD, FOOT SWITCH	1
27	10155	KNIFE, UPPER	1	108	45063	CONTROL PANEL	1
28	05033	SCREW, UPPER KNIFE	9	109	45064	POWER SWITCH	1
29	05670	WASHER, UPPER KNIFE	18	110	62557	HYDRAULIC HOSE ASSEMBLY	4
30	10156	KNIFE, LOWER	1	112	62558	OIL TANK ASSEMBLY	1
31	05035	SCREW, LOWER KNIFE	8	113	10309	MOUNTING ASSEMBLY	2
32	05670	WASHER, LOWER KNIFE	16				
33	05246	SET SCREW, LOWER KNIFE ADJ.	8				
34	05759	NUT, LOWER KNIFE ADJ.	8				
35	10064	SHIM, C'BAR	2				
36	05249	SCREW, C'BAR SHIM	6				
37	05762	NUT, C'BAR SHIM SCREW LOCK	6				
38	10157	STRAIGHTENER ROD, C'BAR	1				
39	05673	WASHER, STRAIGHTENER ROD	3				
40	05787	NUT, STRAIGHTENER ROD	3				
41	10165	ADJ. SCREW, STRAIGHTENER ROD	1				
44	05331	SET SCREW, BACKGAUGE ROD	2				
45	05331	SET SCREW, HOLDDOWN LOCK	2				
46	10302	SPRING, FOOT PEDAL	2				
47	15053	SPRING GUIDE	2				
48	15057	CAP, SPRING	4				
49	15055	STUD, SPRING	2				
50	05787	NUT, SPRING STUD	8				
51	10069	LINKAGE BOLT, C'BAR	2				
52	05827	NUT, LINKAGE BOLT, C'BAR	2				
54	05826	NUT, STUD	8				
55	10071	TURNBUCKLE	2				
57	06354	PIN, LINKAGE, MOUNTING	2				
62	10058	ROD, BACKGAUGE	2				
63	10163	STOP, BACKGAUGE	1				
64	10065	R. EXT. BAR, BACKGAUGE	1				
65	10066	L. EXT. BAR, BACKGAUGE	1				
66	10059	ADJ. BLOCK, BACKGAUGE	2				
67	10060	ADJ. DIAL, BACKGAUGE	2				
68	10075	ADJ. SCREW, BACKGAUGE	2				
69	05762	NUT, ADJ. SCREW	2				
70	10061	LOCK SCREW, BACKGAUGE	4				
71	10062	ADJ. BRKT. BACKGAUGE	2				
72	05027	SCREW, EXT. BAR	2				
73	05325	SWIVEL BOLT	3				
74	05765	NUT, SWIVEL BOLT	2				
75	10159	STOP, FRONT MATERIAL	1				
76	10074	"T"-NUT	3				
77	05938	WING NUT, "T"-NUT	3				
78	10063	BEVEL GAUGE	1				
80	10158	BACKGAUGE ASSEMBLY	1				
81	10301	CYLINDER BRKT.	2				
82	05541	SCREW, CYLINDER BRKT.	8				
83	05542	WASHER, CYLINDER BRKT.	8				