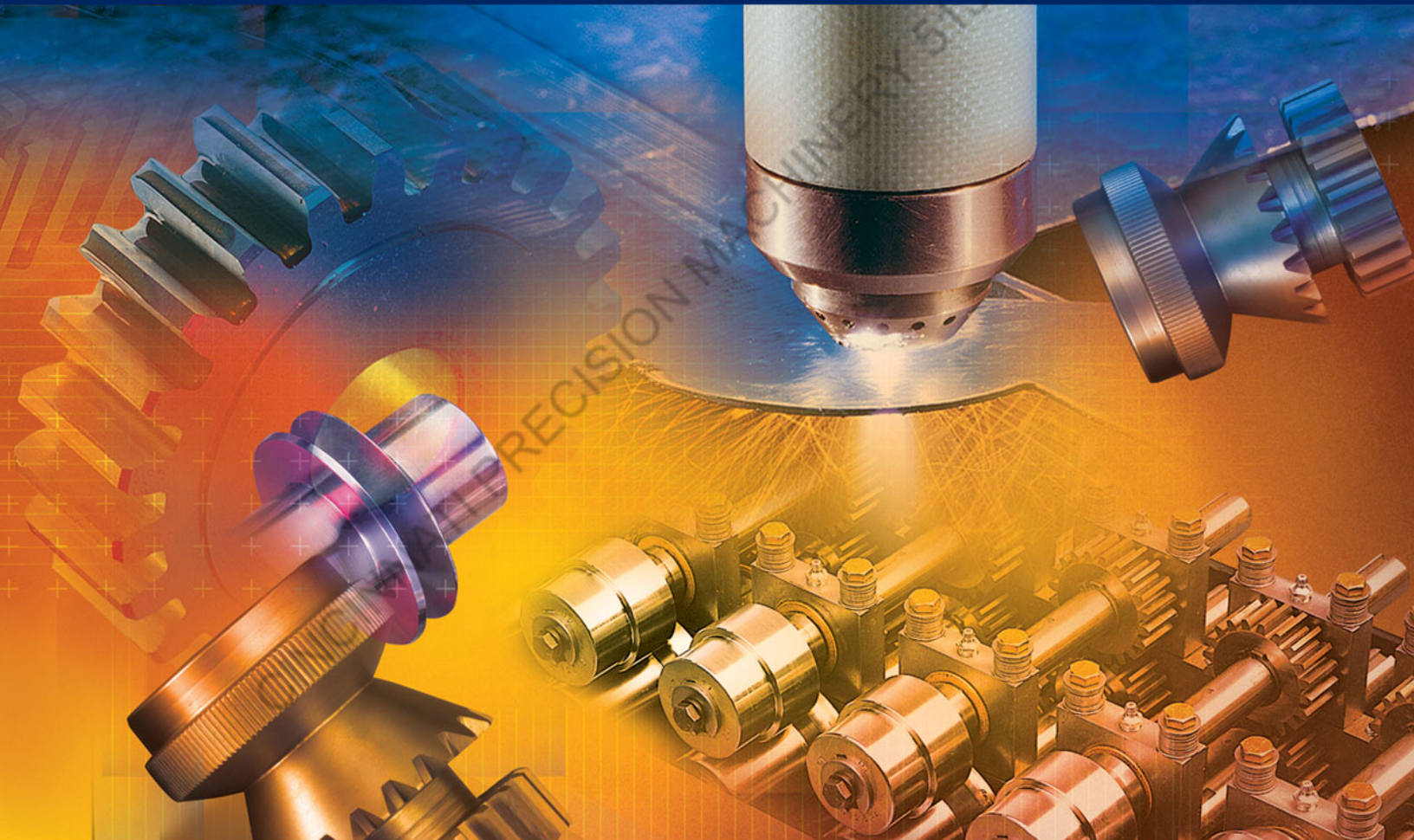


**LOCKFORMER**



INSTRUCTIONS &  
PARTS DIAGRAM  
**Pittsburgh 16 Gauge**

# LOCKFORMER

## Pittsburgh 16 Gauge Instructions and Parts Diagram





## WARNING

**THIS EQUIPMENT IS DESIGNED TO BE OPERATED WITH ALL COVERS SECURED IN PLACE.**

**OPERATION WITHOUT THESE SAFEGUARDS MAY RESULT IN CONDITIONS WHICH ARE HAZARDOUS TO THE OPERATOR AND OBSERVERS.**

## SAFETY GUIDELINES

Before operating the machine, study and follow the safety precautions in this section. These precautions are intended to prevent injury to you and your fellow workers. They cannot, however, cover all possible situations. Therefore, **EXERCISE EXTREME CAUTION** and use **COMMON SENSE** before performing any procedure or operation.

### Safety Precautions **BEFORE** starting the machine(s)

- Only one person should control the machine(s). Never allow anyone to operate the controls while you are operating or working on this equipment. In addition to disconnecting power **always use lock outs and tagouts** to prevent accidental start-up when performing maintenance procedures.
- Keep your hands away from internal workings of the machinery when starting, running or stopping.
- Keep your work area clean. Remove all scrap, oil spills, rags, tools and other loose items that could cause you to slip, trip and fall.
- When cleaning the machine or any of its components, do not use toxic or flammable substances. Do not perform any cleaning while the equipment is running.
- Never override or disable any safety switch or safety interlock.
- If so equipped, make sure that hydraulic and pneumatic pressures are at specified levels before operating this equipment.
- **Do not operate the rollformer unless all covers and guards are in place.**
- Be sure that this Instruction Manual is kept near the machine so the operator can refer to it when necessary.
- Keep this equipment properly maintained.
- Always turn off power to the machine(s) at the main disconnect before performing any maintenance or adjustments so accidental start-up or electrocution cannot occur.



## Safety precautions WHILE operating the machine(s)

- Never leave the work area while the equipment is in operation.
- Never leave the machine unattended while it is under power or in operation.
- Always be alert while operating machinery.
- Be alert for loose, worn or broken parts. Do not attempt to operate any machinery with such parts present or if the machinery is making unusual noises or actions.
- Avoid skin contact, prolonged breathing, or eye exposure to any stock lubrication fluid being used.
- Be aware of the locations of the **Power Off** or **Emergency Stop** button in case of an emergency.
- **Be sure all guards and covers are in place.**
- Continually observe the rollforming process and related equipment. If any unusual condition develops, immediately stop and inspect the machine.
- Protect yourself! Wear safety glasses. Do not wear loose clothing, neckties, or jewelry. If long sleeves must be worn, avoid loose cuffs and buttons. Tie back and contain long hair.
- Never adjust any roll feature or perform work near the rolls, gears or power take off while they are running.

### General

If any pneumatic or hydraulic feature is used, disconnect the main supply and exhaust pressure and bleed the lines to prevent cycling on retained pressure.

Always shut off the power at the main disconnect switch before entering the electrical control box.

Do not use compressed air to clean the machines. Air pressure may drive dirt and small chip into the machine(s) bearing surfaces or cause bodily injury.

#### IMPORTANT

The information contained herein is to be use as a general guide only. For further safety information obtain and read the ANSI bulletin entitled:

ANSI B11.12-1996 Rollforming and Roll-Bending Machines safety. Requirements for Construction, Care and Use.

CONTACT: American National Standards Institute  
11 West 42nd Street. New York, New York 10036



### CAUTION

To provide clarity to points in question the illustrations and photos appearing in this manual are shown with covers and guards removed.  
**NEVER OPERATE THIS EQUIPMENT UNLESS ALL COVERS AND GUARDS ARE IN PLACE.**



## SAFETY GUIDELINES

You are **NOT** ready to operate this equipment if you have not read and understood all of the safety information in this manual.



### WARNING

- Do not wear loose clothing, neckties, improper gloves, or jewelry while operating this machine. If long sleeves must be worn, avoid loose cuffs or buttons, Tie back or contain long hair.
- Wear proper gloves to prevent lacerations caused by sharp edges of stock as it travels through the forming operation.
- Never operate this equipment unless all covers and guards are properly installed.
- Be alert for loose, worn, or broken parts. Never operate this equipment unless it is in good working condition.
- As the stock enters the guides and feeds into the rolls, a pinch point is created as the stock advances. Keep hands clear of area and all pinch points.
- Always disconnect the main power supply power and install lock outs using a lockout / tagout procedure when making adjustments or repairs.
- When transporting, take into consideration that the machine is top heavy and may suddenly tip over.
- The machine is designed for fixed installations and is not intended for portability.

**Remember that the information contained in this manual is only a portion of an adequate training program. It must be coupled with specific instructions for your application along with full information of national and local safety regulations that may apply.**

## Recommendations

We recommend that shops that work lighter iron, such as is used on smaller pipes and fittings employ 5/16" Pittsburgh Lock Rolls mounted on the extended shafts of this machine. If production warrants, our smaller machine (Lockformer 22") should be installed.

The reason for this recommendation is as follows:

As most hand brakes cannot be used to form a single edge smaller than 3/8" on heavy iron our Lockformer = 16 rolls a 1/2" pocket with the permanent rolls.

The lighter iron can be worked in the permanent rolls but the closing down of the lock over the 1/2" span causes distortion of the material.

We, therefore, suggest that you use the 5/16" Pittsburgh Lock auxiliary rolls on 22 gauge to 28 gauge iron. These rolls may be installed or changed in about 20 minutes by an experienced operator and the lock resulting is much more accurate and neat,

## Operating Instructions

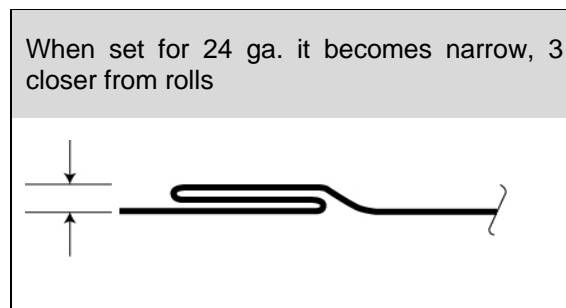
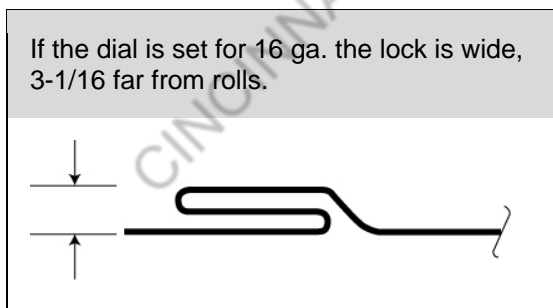
**VERY IMPORTANT!** TO SET THE CALIBRATED DIAL FOR 16 AND 18 GAUGE, TURN DIAL (RIGHT HAND THREAD) DOWN TO THE BOTTOM WITH THE LETTER "S" IN LINE WITH THE ARROW MARKED ON COVER OF MACHINE. THEN RELEASE TO SETTING OF MATERIAL TO BE USED.

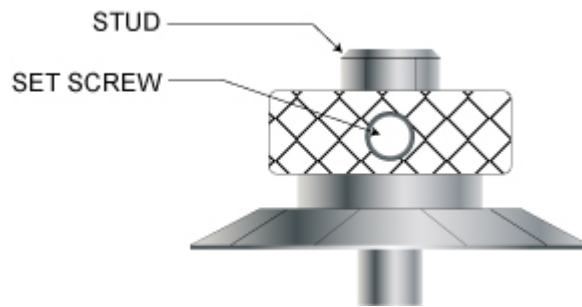
**THE CALIBRATED DIAL:** The purpose of this dial is to regulate the width (not the depth) of the pocket. For example, when forming 16-gauge metal, the pocket must be wide enough to take the 16-gauge single edge which fits into it; and should become narrower correspondingly, for lighter gauges. This is done by setting the dial to whatever gauge you are running through the machine.

Should the dial get out of adjustment, re-set by:

- (1) loosening the set screw,
- (2) turning the stud all the way down,
- (3) setting the "S" mark on the dial opposite the pointer on the cover.

### Example:





Turn CALIBRATED DIAL all the way down and then back to gauge of metal to be run through the machine. Hold material against the angle gauge and slide it into the forming head. Be sure to hold the material to the gauge.

Your Lockformer has been adjusted at the factory, but on account of the difference in materials in various localities it is sometimes necessary to readjust it. Proceed as follows:

- (1) If material slips or sticks on leaving forming head, tighten Hold Down Stud at finishing end slightly.
- (2) If the material works away from the feed gauge tighten Hold Down Studs at starting end until it corrects itself.
- (3) If the material shows heavy pressure marks, loosen Hold Down Studs slightly.

If a wider or narrower hammer-over edge is desired, move the angle gauge forward or back. Be sure to keep the gauge parallel with the front edge of the tap plate of the machine.

**MATERIAL SHOULD NOT TOUCH GAUGE ON FINISH END OF MACHINE.**

It is very important that long sheets be held flat and against the angle gauge when starting through the forming head.

The Lockformer 18 will handle pieces 8" and longer. If shorter length is required, NOTCH LONG LENGTH AND CUT AFTER FORMING.

**Lubrication**

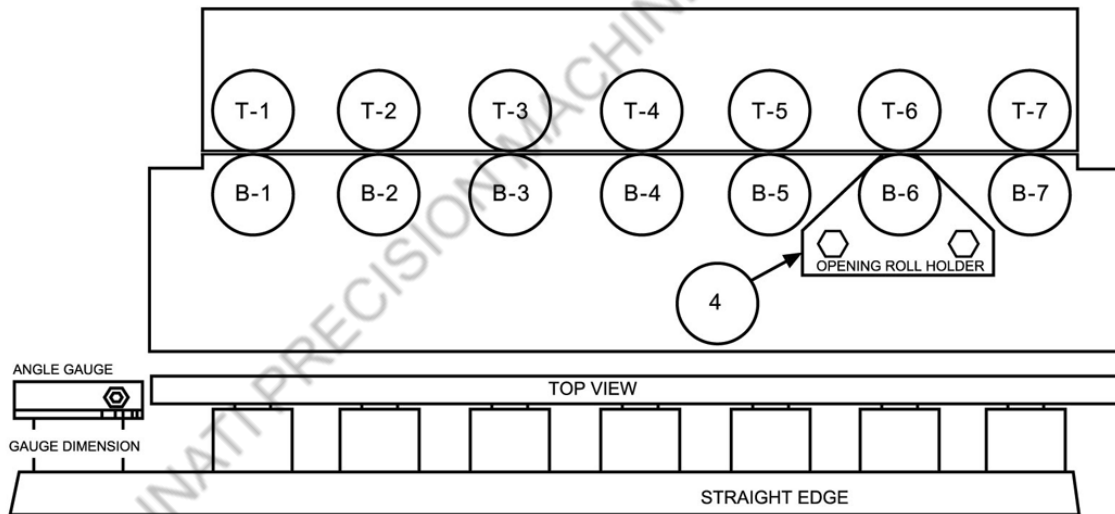
There are seven alemite fittings located on the underside of the stand roller case on the auxiliary side of the machine. These fittings lubricate the main reduction bearings and should be lubricated after every four hours of operation.

Recommended lubricant:

Standard Viscous #3 (Product of the Standard Oil Company) or equivalent. The slow speed shafts do not require additional lubrication. Grease gears periodically or as needed. If machine is to be used out of doors, an oil or grease film will prevent rusting of surfaces.

## To install supplementary rolls, proceed as follows:

1. Remove top cover.
2. Remove rear section of top plate. This will expose the extended shafts on which the rolls are to be mounted.
3. Select the first pair of rolls, which are marked "T1" and "B1" and slip them on the shafts at the left, or feed side of the machine, placing "T1" on the upper shaft and "B1" on the lower. Repeat this procedure with rolls T2 and "B2", 'T3" and "B3" etc., until all rolls have been mounted. All rolls marked "T" should be mounted on the top shafts and "B" rolls on the bottom shafts, in numerical order, reading from left to right, facing the shafts. NUMBERED SIDE MUST FACE OUTWARDS.
4. Install keys and fasten rolls to shafts with capscrews and special washers which are provided.
5. Mount entrance and exit gauges onto stand using slotted holes provided in stand table top. Set entrance gauge by placing a straight edge along the outer edge of the auxiliary rolls, Measure in from this straight edge to the extreme ends of entrance gauge bar the required amount. See Sketch (1). When using the Drive Cleat Rolls the straight edge is placed along the entrance gauge and the measurement is made from the distance between the straight edge and the number one and seven roll stations.



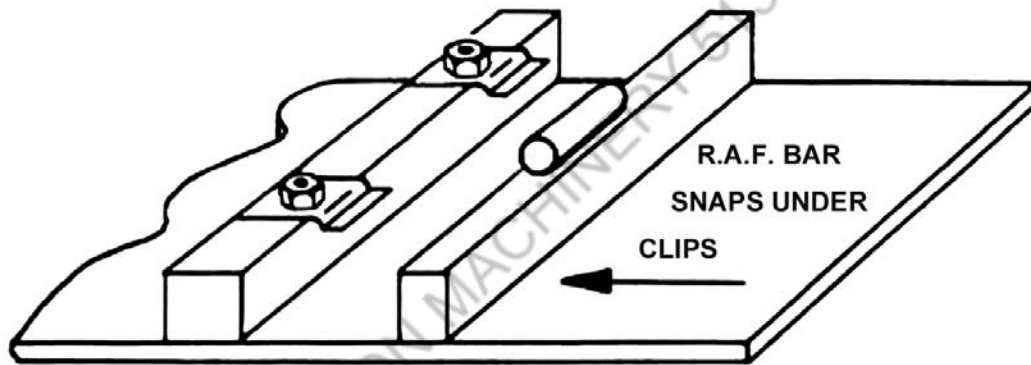
SKETCH No.1



## Auxiliary roll gauge settings

- A. **Type "S" Double Seam:** (22-26 Gauge) 5/16" Pocket. Uses approximately 1" material.  
Gauge setting.....1-1/8"
- B. **Type "L" Double Seam:** (16-20 Gauge) 7/16" Pocket. Uses approximately 1-1/8" material.  
Gauge setting.....1-5/16"
- C. **Standing Seam Rolls:** (16-20 Gauge) 3/4" Height. Uses approximately 2-1/8" per completed seam. Forms both single and double edge by simple gauge attachment. Note: Two piece entrance gauge supplied. Drilled bar mounted to stand with clips attached, to form standing seam.  
Gauge setting..... 2"  
Second Gauge edge bar snaps under clips and is used for right angle flange.

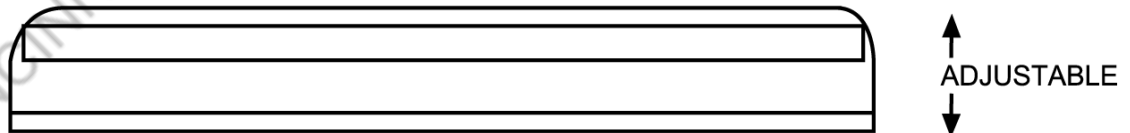
See Sketch below: (2)



SKETCH No. 2

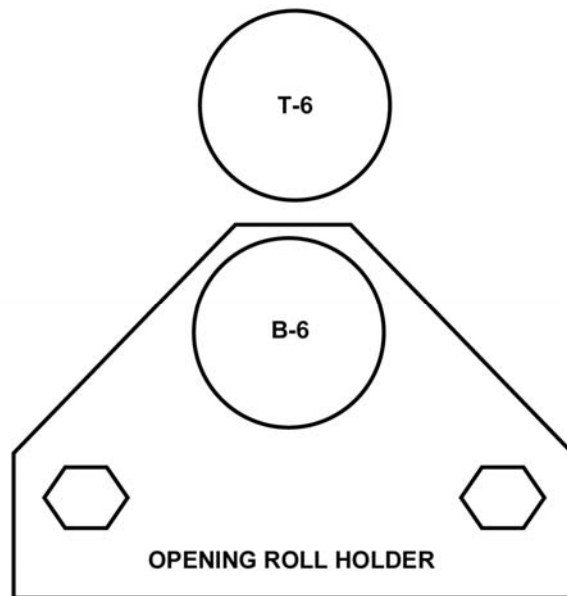
The top seven roll is not fastened by bolt and washer but allowed to float.  
The exit angle gauge has an adjustable bar that can be lowered to exert pressure on the material as it emerges from the rolls, thereby straightening the finished section.

See Sketch (3) below: Set exit gauge to the standing seam shape.

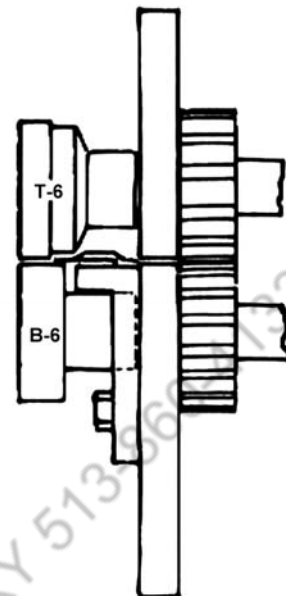


SKETCH No. 3

- D. **Right Angle Flange Rolls:** (16-24 Gauge) on straight pieces only. Adjustable to 7/16" high.  
Gauge setting.....1-5/16"
- E. **5/16" Pittsburgh Lock Rolls:** (22-26 Gauge) 5/16" Pocket.  
Gauge setting.....1-11/16"  
To install auxiliary opening roll holder remove rolls, from the number six roll station and bolts that straddle bottom six roll shaft (See Sketch 4 and 4A). Place opening roll holder onto machine and fasten with the two 1/2"-13 NC x 2" HHCS provided.

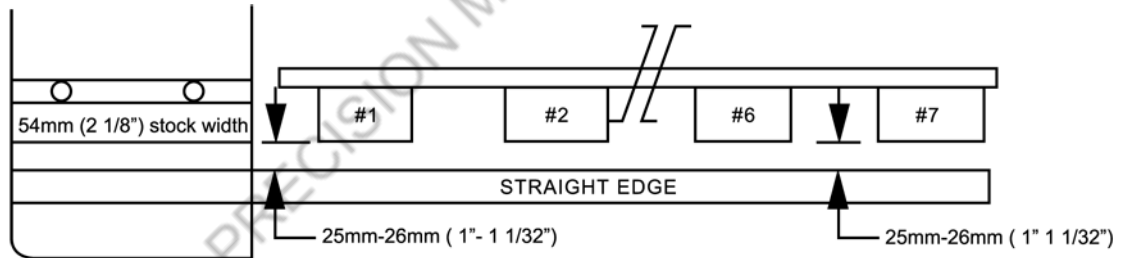


SKETCH No. 4



SKETCH No. 4A

- F. **Drive Cleat:** (20-26 Gauge Material) Cleat width, 1-1/8", 2-1/8" stock width.  
 Gauge setting (See Sketch No. 5)..... 1" to 1-/32"  
 Note: The top =3 roll is not fastened by bolt and washer but allowed to float.



SKETCH No. 5

- G. **Combination 3-in-1 Rolls:** (22-28 Gauge) Uses approximately 1-3/4" on "T" Section 1-1/8" on standing seam 1/2" on right angle flange.

- Three Step Entrance Gauge  
 Top Step "T" Section Gauge setting.....2-1/16"  
 Middle Step Standing Seam  
 Gauge setting.....1-1/2"  
 Bottom Step Right Angle Flange  
 Gauge setting.....15/16"



**Note:**

When the First setting is made the other two will be automatically correct The other two shapes can be made by placing material to the proper gauge step.

There are two top seven rolls, one stamped T-7, 22-24 gauge which has a wide slot and should be used with 22 and 24 gauge material. The second roll is stamped T-7, 26-28 gauge and should be used for the lighter materials. The exit angle gauge has an adjustable bar that can be lowered to exert pressure on the material as it emerges from the rolls, thereby straightening the finished section. (See Sketch 3).

**Caution:** When adjusting exit gauge be sure it is set to the "T" section shape or damage will result by material interference with the gauge bar.

**Note:**

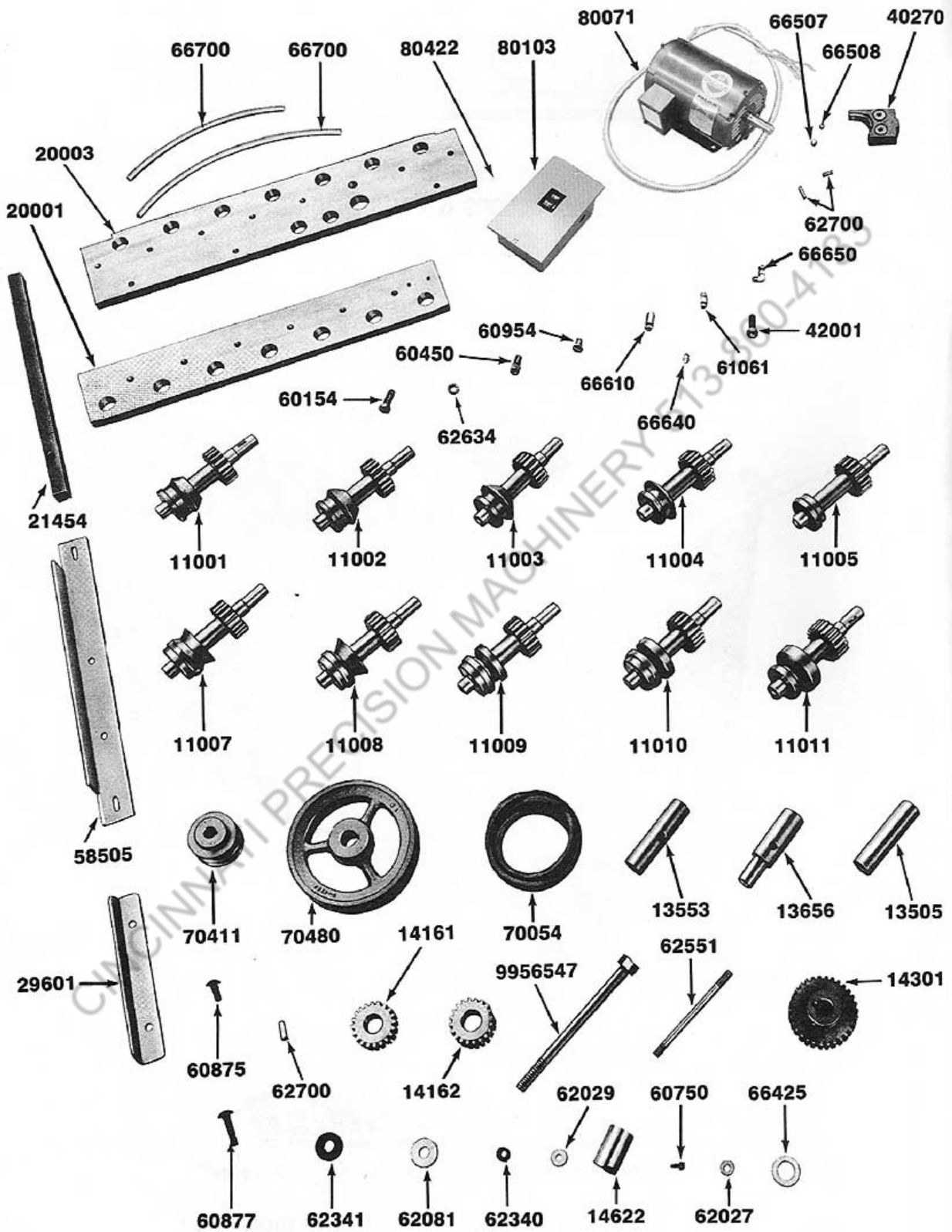
When changing rolls, loosen the exit gauge and move it to the extreme end of the table slots, away from where the material will pass. Run a test piece of material through the rolls and stop machine as the lead edge of the formed material reaches the end of the exit table.

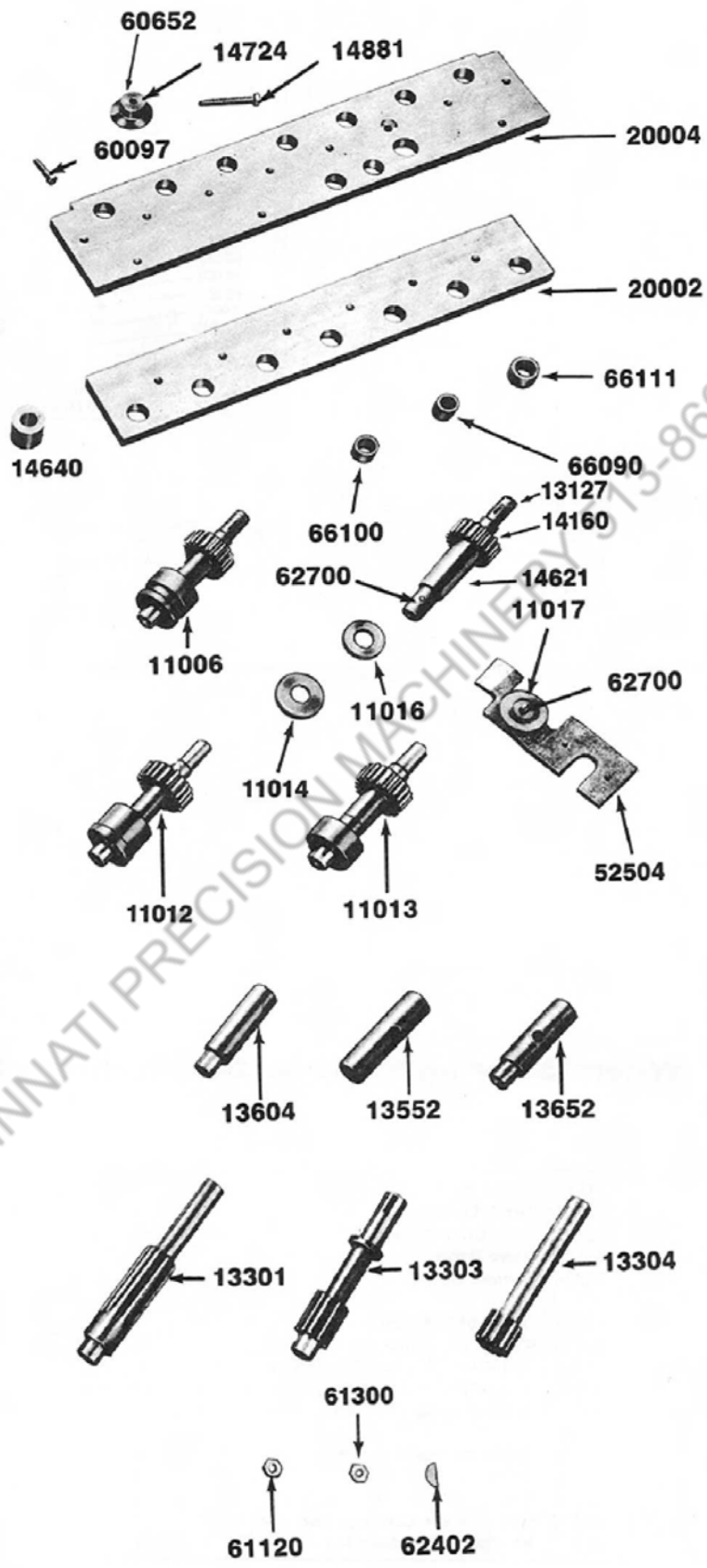
Set exit gauge to the formed material; the gauge should be set flush to, but not bearing against, the material unless side pressure is required for straightening. Adjustment of the tension on the 3/8" studs that pass through the plates will affect the shape and tendency of material to hold to the entrance gauge.

**It is important:** that when changing rolls all parts pertaining to each set be removed from the machine and all parts included on assembly.

6. Replace top cover and back plate
7. Hold material against gauge and feed into machine.







CINCINNATI PRECISION MACHINERY 513-860-4133

## Lockformer Pittsburgh 16 Gauge Parts List

Please use New Number when ordering parts.

New Part No.	Description	Pieces per Unit
20003	Lower Front Plate	1
20004	Lower Back Plate	1
20001	Upper Front Plate	1
20002	Upper Back Plate	1
11001	16 Pitts T1	1
11002	16 Pitts T2	1
11003	16 Pitts T3	1
11004	16 Pitts T4	1
11005	16 Pitts T5	1
11006	16 Pitts T6	1
13127	T7 Roll Shaft	1
14621	16 Pitts Cir.	1
14160	Drive Gear	1
11014	Knurled Ring	1
11016	Plain Ring	1
14724	Adjustable Dial	1
60652	Set Screw	1
42700	Dual Pin	1
*71018	Comp. Spring	1
60097	3/8 16 x 1-3/4 HHCS	2
40270	Adjusting Block Fin.	1
66507	1/2 Steel Ball	1
66508	3/8 Steel Ball	1
14881	Adjusting Dial Screw	1
11007	16 Pitts B1	1
11008	16 Pitts B2	1
11009	16 Pitts B3	1
11010	16 Pitts B4	1
11011	16 Pitts B5	1
11012	16 Pitts B6	1
11013	16 Pitts B7	1
70411	2 BK 28 7 & 8 Sheave	1
70480	2 BK 80 HX. 1 Sheave	1
70054	5L-520 Belt	2
13552	Spacer Dr. off Center	2
13553	Spacer Dr. on Center	1
13652	Idler Spacer off Center	2
13656	Main Idler Spacer	1
13404	Idler Spacer Plain	3
13505	Plain Spacer	8
66100	B1612 Torr. Bearing	30

*66101	B1612 OH Torr. Bearing	4
68111	HJ 1624 12 Torr. Bearing	2
66090	B1416 Torr. Bearing	5
66040	1610 Grease Fittings	7
37000	Grease Fitting Shim	1
60154	½-13 x 1-1/2 Hex Hd. C Screws	32
42001	Lube Bolt	1
14161	Idler Gear (Uses 1- #66090 Bearing)	5
14162	Main Idler Gear (Uses 2- #66100 Bearings)	1
*62633	3/8 x 1 Dowel Pin	2
*51900	Fibre Gear Assembly	1
*52504	Opening Roll Bracket Assembly	1
14622	Saddle Washer	3
60450	½-13 x 1 SHCS	1

CINCINNATI PRECISION MACHINERY 513-860-4133



# LOCKFORMER

The Lockformer® Company  
711 Ogden Avenue  
Lisle, Illinois 60532-1399

Phone: (630) 964-8000  
Fax: (630) 964 5685  
[www.lockformer.com](http://www.lockformer.com)

Due to continuous improvements, Lockformer® reserves the right to modify the product design and specifications contained herein without notice. Please contact your Lockformer® sales representative for the most current specification information.

Use, publication or sale of any images or content without the expressed written consent of Lockformer® is strictly prohibited.

© Copyright 2008. All rights reserved by Lockformer®