

Engel Slitter Attachment

SDC-2

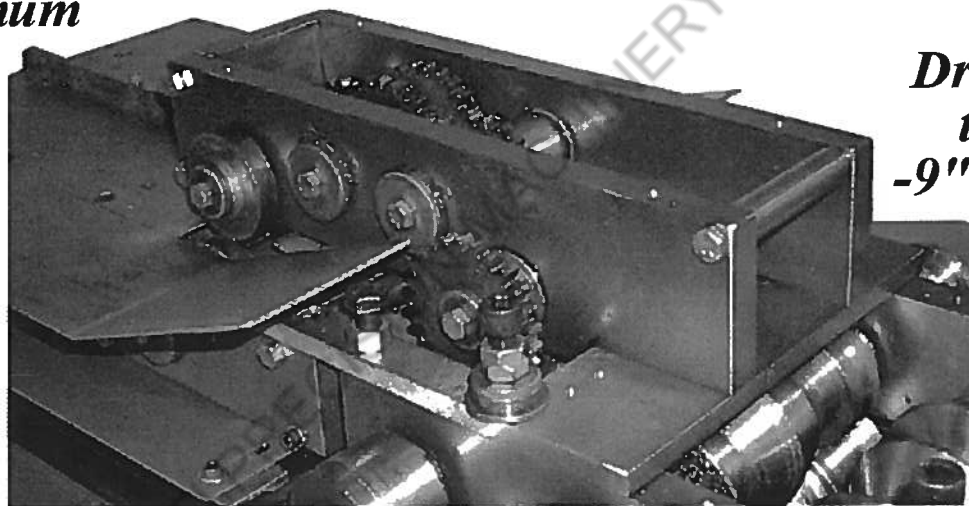
Fits Model 525, 800, 825 and Six Pack

Permanently Mounted

Mounts above In-Feed Table

Unlimited Maximum Length

*Cuts Flat "S"
slips this side
-9" Minimum*



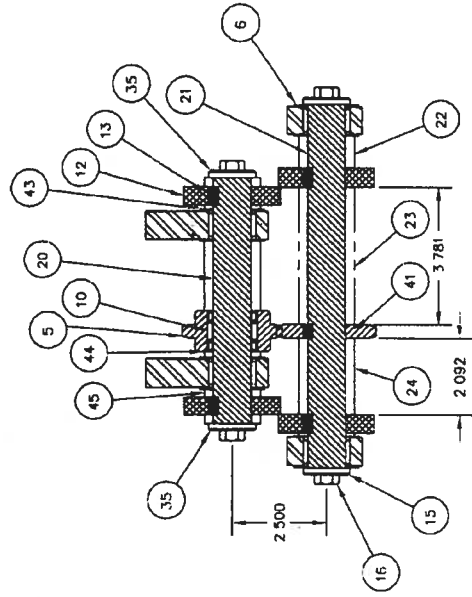
*Drive Cleats
this side
-9" Minimum*

*Pre-cut Strips are fed
easily from the top*

*Can be field installed
on "U" model machines*

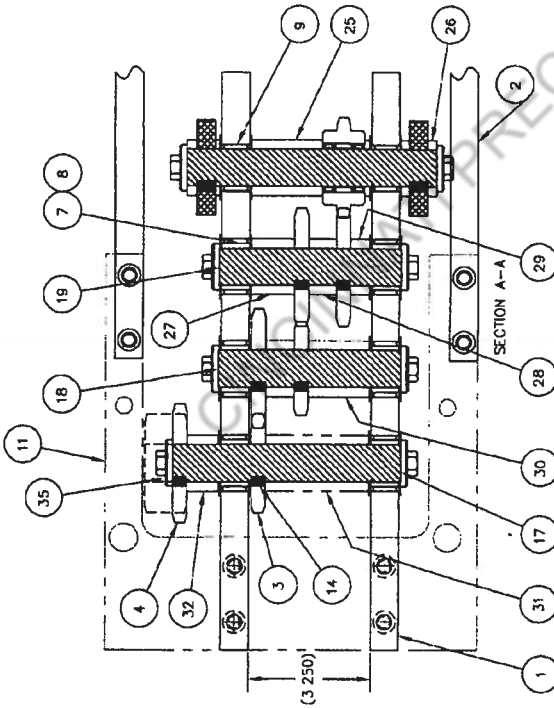
ENGEL 
INDUSTRIES

8122 Rielly Ave. St. Louis, MO 63111 Phone (314) 638-0100 Fax (314) 638-6514 www.engelind.com

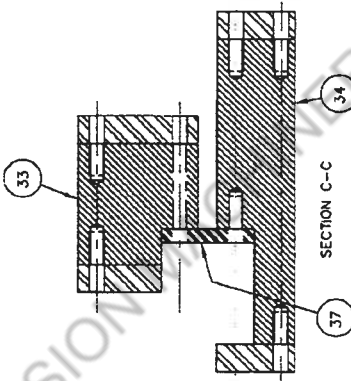


SECTION B-B

30	1	A-1083726-10	X	SPACER 1 1/2 O.D. X 1 I.D. X 1.625 LG.
29	1	A-1083726-3	X	SPACER 1 1/2 O.D. X 1 I.D. X .509 LG.
28	2	A-1083726-9	X	SPACER 1 1/2 O.D. X 1 I.D. X .745 LG.
27	1	A-1083726-8	X	SPACER 1 1/2 O.D. X 1 I.D. X 1.125 LG.
26	2	4207-9	X	SPACER 1 1/2 O.D. X 1 I.D. X .250 LG.
25	1	A-1083726-7	X	SPACER 1 1/2 O.D. X 1 I.D. X 1.850 LG.
24	1	A-1083726-6	X	SPACER 1 1/2 O.D. X 1 I.D. X 2.092 LG.
23	1	A-1083726-5	X	SPACER 1 1/2 O.D. X 1 I.D. X 3.781 LG.
22	1	A-1083726-1	X	SPACER 1 1/2 O.D. X 1 I.D. X .785 LG.
21	1	B-1083728	X	SHAFT - LOWER SLITTER
20	1	B-1083727	X	SHAFT - UPPER SLITTER
19	1	B-1083731	X	SHAFT - TRANSFER
18	1	B-1083730	X	SHAFT - SPEED REDUCTION
17	1	B-1083729	X	SHAFT - DRIVE PIC-UP
16	10		X	BOLT 3/8-24 X 1 LG. HHCS
15	7	4219-9	X	END CAP WASHER 1.3/4 OD
14	7		X	KEY 1/4 SQ. X 3/8 LG.
13	4	A-1083719	X	SLITTER KNIFE
12	4	B-1083714	X	BEARING BLOCK TIE PLATE
11	1	EP 511072	X	ROLLER CLUTCH BEARING ASSY
10	4	EP 511005	X	TORRINGTON NEEDLE BEARING B-1612
9	6	EP 511004	X	INNER RACE IR1612
8	6	EP 511078	X	TORRINGTON NEEDLE BEARING B-2012
7	6	EP 511078	X	AMPLER THRUST RACE IT1709-01
6	20	A-1083743	X	UPPER SLITTER GEAR
5	1	A-1083725	X	3.00 P.O. GEAR
4	4	A-1083724	X	2.50 P.O. GEAR
3	2	A-1083713	X	LOWER BEARING BLOCK
2	2	B-1083712	X	UPPER BEARING BLOCK
1	2		X	DISK PB-24




SECTION A-A



SECTION C-C

45	1	A-1083726-14	X	SPACER 1 1/2 O.D. X 1 I.D. X .200 LG.
44	1	A-1083726-13	X	SPACER 1 1/2 O.D. X 1 I.D. X .175 LG.
43	1	A-1083726-12	X	SPACER 1 1/2 O.D. X 1 I.D. X .173 LG.
42	1	A-1083750	X	SHEET GUIDE DEFLECTOR
41	1	A-1083742	X	SLITTER DRIVE GEAR (SPECIAL)
40	1	A-1083732-2	X	UPPER BEARING BLOCK SPREADER BAR
39	1	A-1083732-1	X	LOWER BEARING BLOCK SPREADER BAR
38	1	D-1083715	X	TRANSFER SHEET GUIDE ASSY
37	1	A-1083723	X	BEARING BLOCK TIE BAR
36				
35	3	4219-1	X	END CAP WASHER 1 1/4 O.D.
34	1	A-1083721	X	LOWER BEARING BLOCK SPREADER PLATE
33	1	A-1083720	X	UPPER BEARING BLOCK SPREADER PLATE
32	1	A-1083726-4	X	SPACER 1 1/2 O.D. X 1 I.D. X .830 LG.
31	1	A-1083726-11	X	SPACER 1 1/2 O.D. X 1 I.D. X 2.750 LG.

REV B 6/18/01 P18 ITEM 15 WAS 4219-1, & 10 RECD. ITEM 23 WAS 3.722 LG.
 ITEM 35 WAS 1083722-1, ITEM 36 WAS 1083722-2, ADDED ITEMS 43, 44, & 45
 REV. A 3/22/90 P18 ITEM 26 WAS A-1083726-2, ITEM 22 WAS .850 LG.


 GLEASON FERRI
 SLITTER HOUSING SUB-ASSY
 C-1083544

Slitter for 825