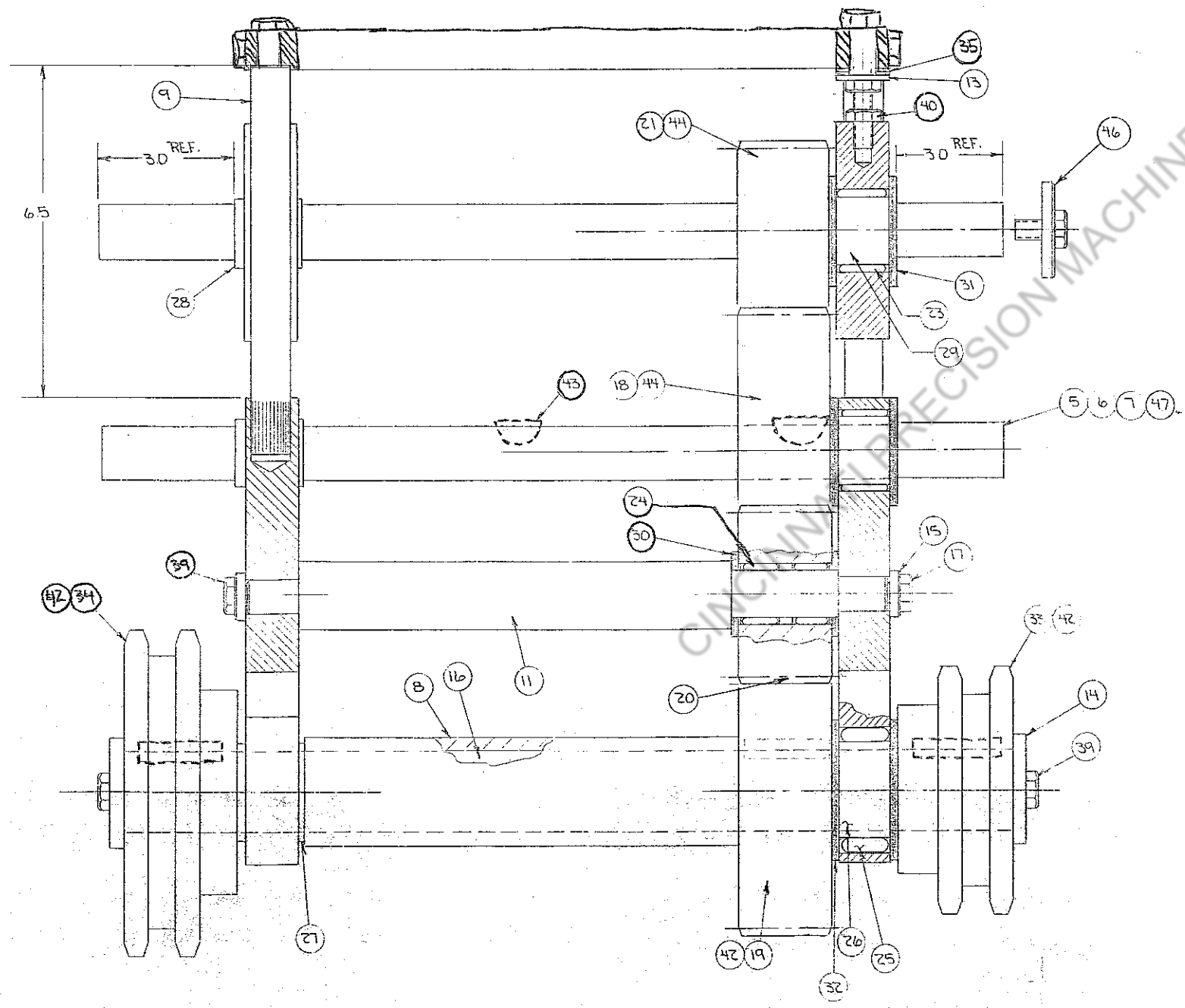
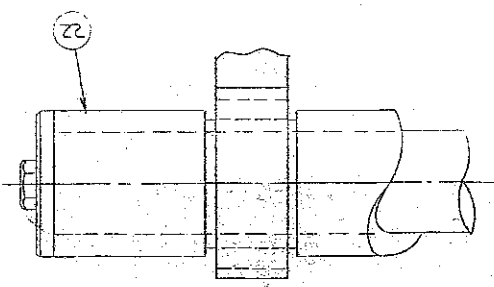


SIDE VIEW SCALE



SECTION VIEW A-A

SECTION VIEW B-B



SECTION B-C

60 FPM

ITEM NO.	QTY	PART NO.	DESCRIPTION
47	2	9452-3	X SPINDLE-ROLLER DIE STA
46	64	4219-9	X END CAP WASHER
45	34		X SPRING PIN 3/16x1 LG.
44	64	No. 808	X WOODRUFF KEY 1/4x1
43	128	No. 607	X WOODRUFF KEY 3/16x1 1/2
42	5		X SQ. KEY 3/8x1 1/2
41	32		X 3/8 FLAT WASHER
40	64		X 3/8-24 HEX NUT
39	18		X 3/8-24x 1/4 LG. HHCS
38	34		X 3/8-24x 1/4 LG. HHCS
37	22		X 3/8-24x 1/2 LG. HHCS
36			
35	64	Z 12	X DISC SPRINGS SCH40
34	1	D60B21	X SPROCKET BROWNING
33	2	D60B19	X SPROCKET BROWNING
32	4	TW-150	X
31	64	TW-126	X
30	32	TW-87	X THRUST WASHER BUNT
29	32	IR-202416	X
28	32	IR-202420	X
27	2	IR-242820	X
26	2	IR-242816	X INNER RACE
25	4	H-283716	X ROLLER
24	28	B-1412	X
23	64	B-2416	X BEARING-NEEDLE TOP
22	1	4234-2	X SPACER-TRANSFER SHAFT
21	16	4155-4	X UPPER
20	14	4155-5	X IDLER
19	2	4156-3	X TRAN
18	32	4156-8	X GEAR-SPUR LOWER
17	14	4165-4	X GREASE BOLT
16	2	4231-1	X TRANSFER SHAFT
15	28	4219-1	X END CAP WASHER
14	4	4219-4	X END CAP WASHER
13	32	4234-1	X SPOOL-ADJ.
12	7	4166-2	X SPREADER-HEAD RAIL
11	14	4106	X IDLER SHAFT
10	32		X ADJ. BOLT 3/8-24x3 1/2
9	34	4167-2	X POST
8	2	4224-1	X SPACER-TRANSFER SHAFT
7	3	9452-1	X SPINDLE-ROLLER DIE STA
6	3	9453	X SPINDLE-ROLLER DIE STA
5	27	9452	X SPINDLE-ROLLER DIE STA
4	2	4172	X LOWER SPREADER
3	2	4918	X HEAD RAIL
2	32	4144-2	X UPPER BEARING CAGE
1	2	4917-2	X BOTTOM SPINDLE HOUSING

PRECISION MACHINERY 513-860-4133