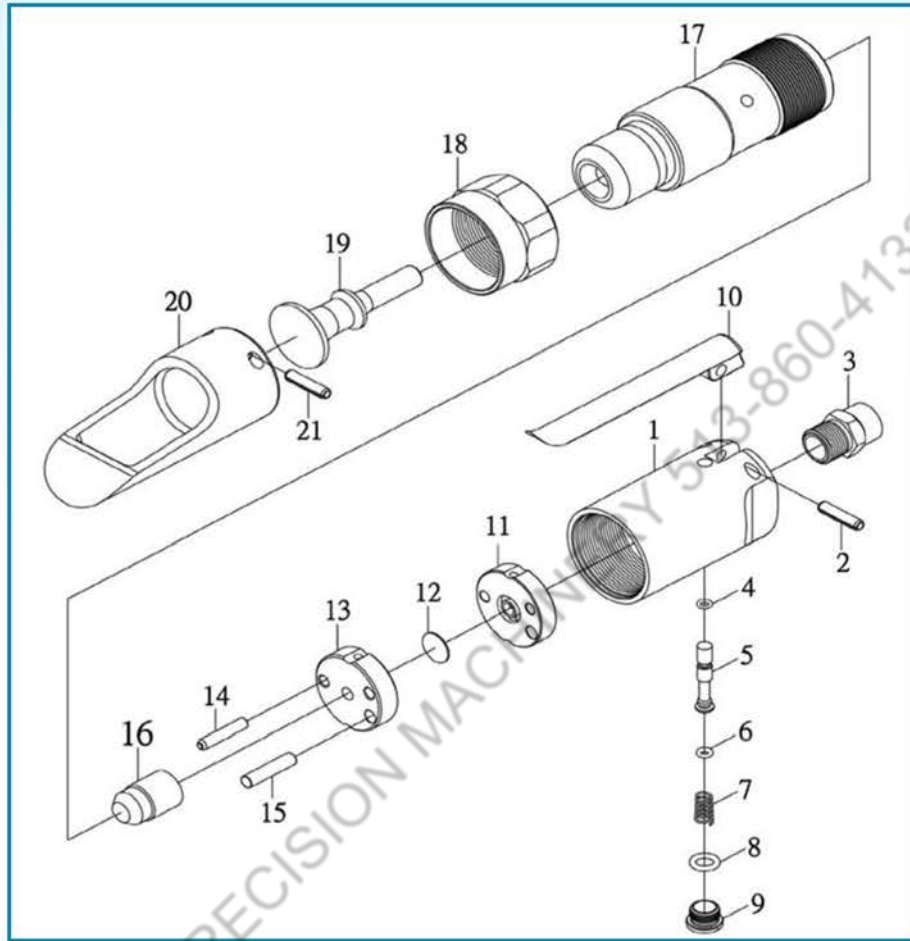




# Heavy Duty Pittsburgh Air Hammer

## Parts List (Model 1800)



INDEX NO.	DESCRIPTION	REQ'D NO.
01	Handle	1
02	Spring Pin	1
03	Air Inlet Bushing	1
04	O-Ring	1
05	Valve-Throttle	1
06	O-Ring	1
07	Spring Valve	1
08	O-Ring	1
09	Throttle Valve Cap	1
10	Throttle Lever	1
11	Upper Valve	1

INDEX NO.	DESCRIPTION	REQ'D NO.
12	Main Valve	1
13	Lower Valve	1
14	Dowel Valve Case (S)	1
15	Dowel Valve Case (L)	1
16	Piston	1
17	Cylinder	1
18	Lock Nut	1
19	Driver	1
20	Guide	1
21	Spring Pin	2

