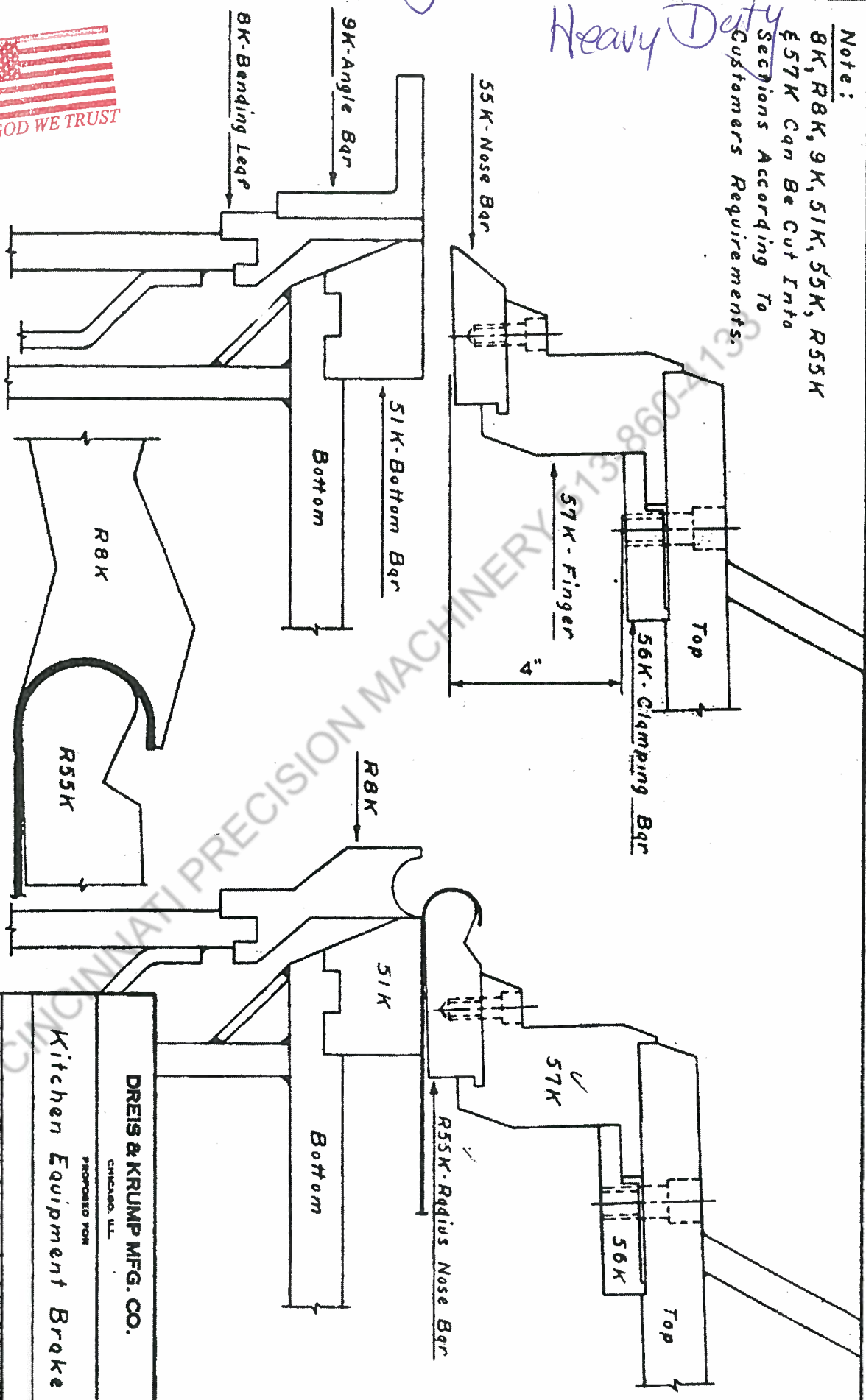


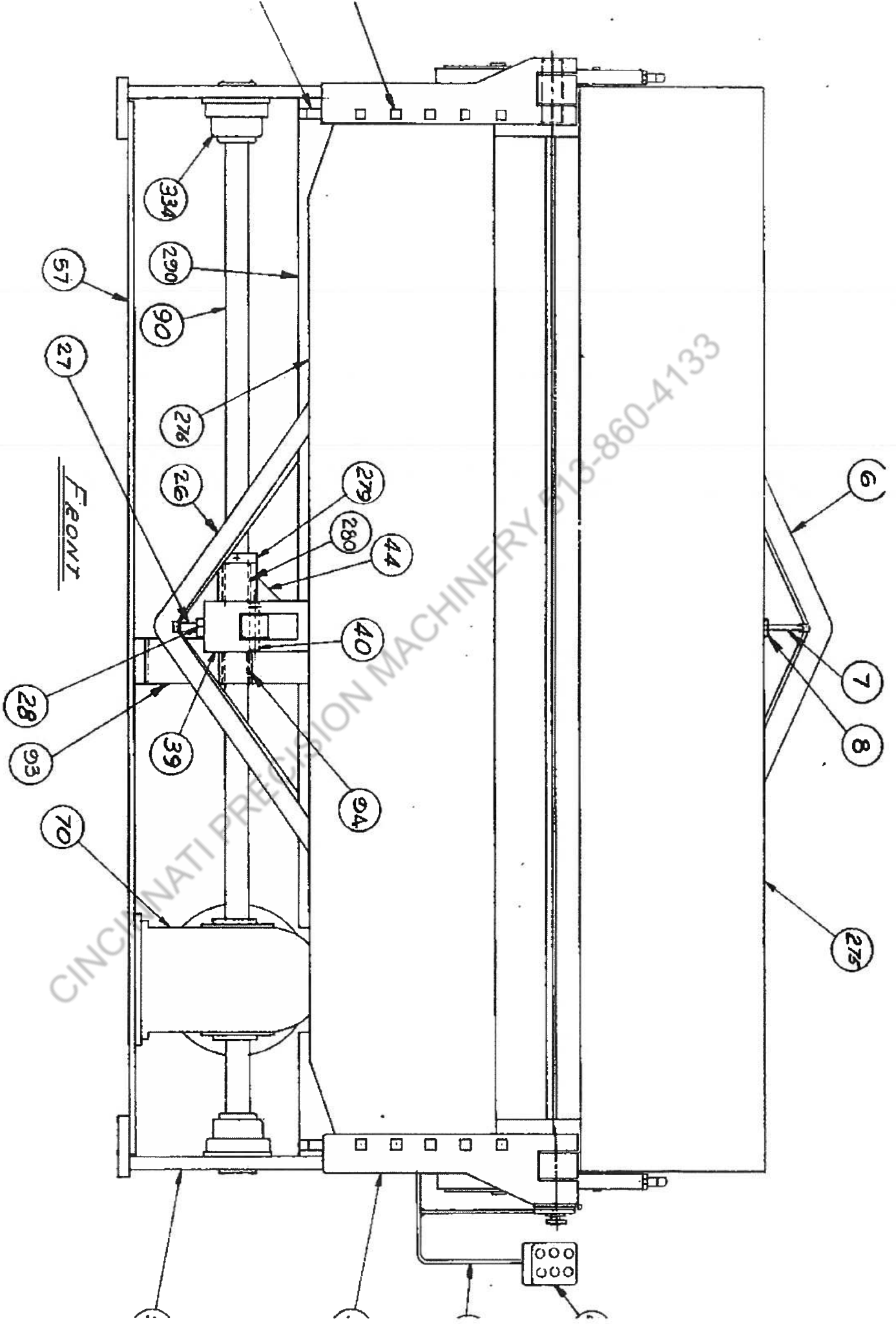
Chicago D+K Combo Box Brak

Heavy Duty

Note:  
 8K, R8K, 9K, 51K, 55K, R55K  
 §57K Can Be Cut Into  
 Sections According To  
 Customers Requirements.

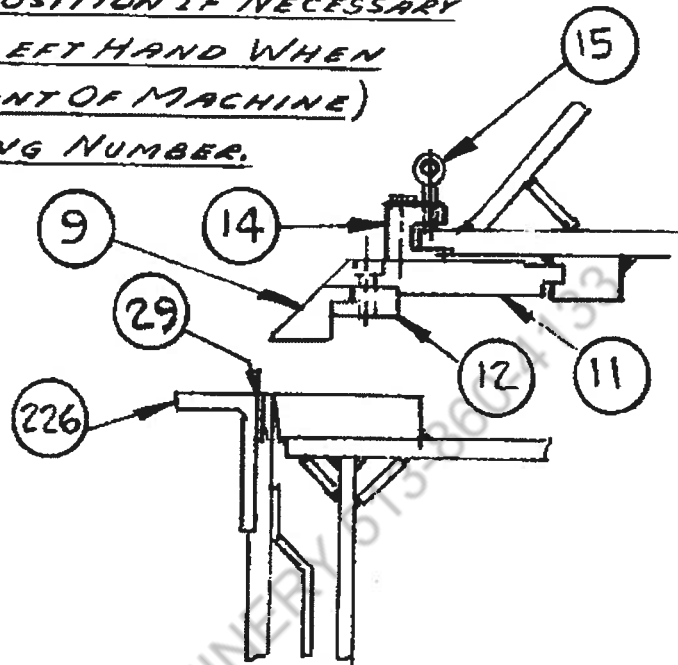


DREIS & KRUMP MFG. CO.	
CHICAGO, ILL.	
PROPOSED FOR	
Kitchen Equipment Brake	
DESIGNED BY H.	DRAWING NO. PB-192
DATE 2-22-52	

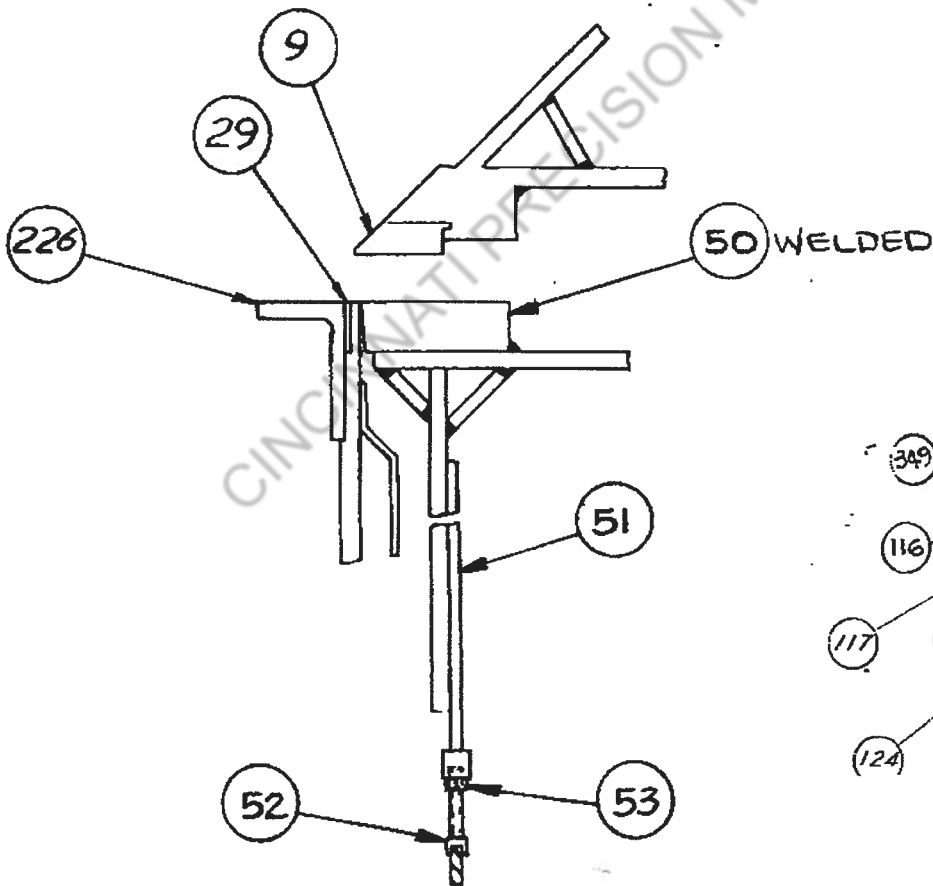


NOTE!

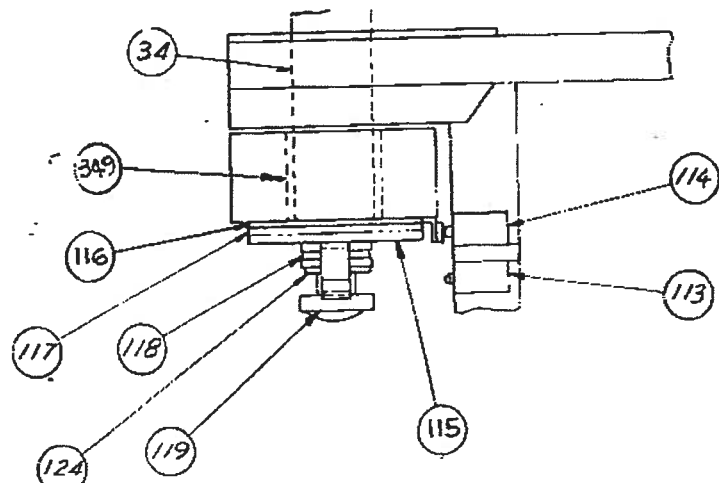
WHEN ORDERING REPLACEMENT PARTS  
PLEASE SPECIFY MODEL AND SERIAL  
NUMBER OF MACHINE, PART NUMBER,  
QUANTITY, PART POSITION IF NECESSARY  
(RIGHT HAND OR LEFT HAND WHEN  
VIEWED FROM FRONT OF MACHINE)  
AND THIS DRAWING NUMBER.



BOX & PAN NOSE BAR ASSY.



STD. NOSE BAR ASSY



LIMIT SWITCH  
ASSEMBLY

1 - Top Leaf Bevel Plate  
 2 - Top Leaf Horizontal Plate  
 3 - Top Leaf Finger Bar  
 4 - Top End Plate  
 5 - Top Leaf End Plate Lugs  
 6 - Top Leaf Truss Rod  
 7 - Top Leaf Truss Rod Bolt  
 8 - Top Leaf Truss Rod Nut  
 9 - Nose Bar  
 10 - Radius Nose Bar  
 11 - Finger Extension  
 12 - Clamping Bar  
 13 - Finger Clamping Bar Bolt  
 14 - Channel Bar  
 15 - Finger Channel Eye Bolt  
 16 - Nose Bar Clamping Screws  
 17 - Slot Casting  
 18 - Slot Casting Pin  
 19 - Slot Casting Set Screw  
 20 - Slot Casting Draw Bolt  
 21 - Slot Casting Locking Bolt  
 22 - Slot Casting Adjustment Block  
 23 - Slot Casting Leg Pad  
 24 - Bending Leaf Plate - Straight  
 25 - Bending Leaf Plate - Crooked  
 26 - Bending Leaf Plate Truss Rod  
 27 - Bending Leaf Plate Truss Rod Bolt  
 28 - Bending Leaf Plate Truss Rod Nut  
 29 - Apron Insert  
 30 - Bending Leaf Plate Hardened Insert Screw  
 31 - Bending Leaf Plate Reinforcing Bar  
 32 - Bending Leaf Plate Reinforcing Bar Bolt  
 33 - Hinge  
 34 - Hinge Pin  
 35 - Bending Leaf Plate Hinge Bolt  
 36 - Bending Leaf Hinge Adjustment Bolt  
 37 - Auxilliary Bending Leaf  
 38 - Bending Leaf Wiping Bar  
 39 - Rack Connection  
 40 - Rack Connection Pin  
 41 - Rack  
 42 - Roller  
 43 - Roller Shaft  
 44 - Rack Roller Housing  
 45 - Rack Pinion  
 46 - Rack Stop  
 47 - Bottom Horizontal Plate  
 48 - Bottom Vertical Plate  
 49 - Bottom Gussets  
 50 - Bottom Bar  
 51 - Bottom Truss Rod  
 52 - Bottom Truss Rod Bolt  
 53 - Bottom Truss Rod Nut  
 54 - Leg  
 55 - Bottom Bar Insert  
 56 - Toe  
 57 - Floor Plate  
 58 - Link  
 59 - Link Adjustment Block  
 60 - Link Adjustment Block Bolt  
 61 - Link Adjustment Bolt  
 62 - Eccentric  
 63 - Eccentric Shaft  
 64 - Eccentric Shaft Support Bushing  
 65 - Bottom Shaft Support  
 66 - Link Top Eccentric  
 67 - Adjustment Block Shaft  
 68 - Link Top Shaft Bearing  
 69 - Top Shaft Support  
 70 - Drive Motor  
 71 - Drive Motor Push Button Station  
 72 - Drive Motor Starter  
 73 - Drive Motor Brake  
 74 - Motor Mounting Plate  
 75 - Drive Motor Pinion  
 76 - Drive Motor Gear  
 77 - Main Shaft  
 78 - Drive Shaft Bracket  
 79 - Drive Shaft Bracket Bearing  
 80 - Drive Shaft Center Bracket Bearing  
 81 - Intermediate Pinion  
 82 - Intermediate Drive Gear  
 83 - Intermediate Shaft  
 84 - Intermediate Shaft Center Bracket  
 85 - Intermediate Shaft Center Bracket Bearing  
 86 - Intermediate Shaft Brake  
 87 - Intermediate Shaft Leg Bearing  
 88 - Main Pinion  
 89 - Main Gear  
 90 - Drive Shaft  
 91 - Main Shaft Le. Bearing  
 92 - Main Shaft Brake  
 93 - Center Leg  
 94 - Center Leg Bushing

101 - Eccentric Shaft Lever Arm  
 102 - Cylinder Support Bracket  
 103 - Cylinder Bushing Flange  
 104 - Air Filter  
 105 - Air Lubricator  
 106 - Air Gage And Regulator  
 107 - Air Speed Control Valves  
 108 - Clamping Valve  
 109 - Brake Valve  
 110 - Clamping Valve Handle  
 111 - Clamping Valve Handle Cable  
 112 - Clamping Valve Handle Bracket  
 113 - Forward Stop Limit Switch  
 114 - Reverse Stop Limit Switch  
 115 - Forward Trip Washer  
 116 - Reverse Trip Washer  
 117 - Adjustment Center  
 118 - Thrust Bearing  
 119 - Locking Knob  
 120 - Adjustment Screw For Top  
 121 - Adjustment Bearing Nut  
 122 - Adjustment Thrust Nut  
 123 - Adjustment Lock Nut  
 124 - Washer  
 125 - Adjustment Screw  
 126 - Adjustment Screw Block  
 127 - Adjustment Screw Worm Gear  
 128 - Adjustment Screw Worm Gear Lock Nut  
 129 - Adjustment Screw Coupling  
 130 - Adjustment Screw Motor  
 131 - Adjustment Worm  
 132 - Adjustment Worm Thrust Bearing Large  
 133 - Adjustment Worm Thrust Bearing Small  
 134 - Adjustment Worm Bracket  
 135 - Adjustment Worm Bracket Mounting Plate  
 136 - Adjustment Shaft Long  
 137 - Adjustment Shaft Short  
 138 - Adjustment Shaft Clutch  
 139 - Adjustment Shaft Gear  
 140 - Adjustment Shaft Motor  
 141 - Adjustment Shaft Motor Pinion  
 142 - Adjustment Shaft Motor Mounting Plate  
 143 - Adjustment Screw Motor Mounting Plate  
 144 - Adjustment Motor Starter  
 145 - Adjustment Motor Push Button Station  
 146 - Top Adjustment Forward Limit Switch  
 147 - Top Adjustment Reverse Limit Switch  
 148 - Adjustment Tripper Mounting Bar  
 149 - Tripper Adjustment Scale  
 150 - Tripper Adjustment Knob  
 151 - Adjustable Tripper  
 152 - Fixed Tripper  
 153 - Adjustment Limit Switch Bracket  
 154 - Adjustment Clutch Handle  
 155 - Adjustment Turning Handle  
 156 - Back Gage Finger  
 157 - Back Gage Finger Body  
 158 - Back Gage Finger Body Adjustment Bolt  
 159 - Back Gage Finger Body Spring  
 160 - Back Gage Finger Body Pin  
 161 - Back Gage Finger Body Support Angle  
 162 - Back Gage Finger Support Bar  
 163 - Back Gage Upright Support  
 164 - Back Gage Adjustment Screw  
 165 - Back Gage Adjustment Screw Support  
 166 - Back Gage Miter Gears  
 167 - Back Gage Miter Gear Bushing  
 168 - Back Gage Dial Hub  
 169 - Back Gage Pointer  
 170 - Back Gage Pointer Screw  
 171 - Back Gage Turning Handle  
 172 - Back Gage Locking Nut  
 173 - Back Gage Miter Gear Shaft  
 174 - Back Gage Support Bearings  
 175 - Back Gage Flanged Bushing  
 176 - Back Gage Miter Gear Bracket  
 177 - Back Gage Clutch  
 178 - Back Gage Clutch Shifter  
 179 - Back Gage Shifter Cable  
 180 - Back Gage Shifter Handle  
 181 - Back Gage Miter Gear Shaft Support  
 182 - Bottom Bar Insert  
 183 - Link Top  
 184 - Link Screw  
 185 - Link Bottom  
 186 - Back Gage Gaging Bar  
 187 - Back Gage Gaging Bar Bolt  
 188 - Back Gage Slide  
 189 - Back Gage Slide Retainer  
 190 - Back Gage Screw Adjustment Nut  
 191 - Back Gage Screw Bearing Front  
 192 - Back Gage Screw Bearing Rear  
 193 - Adjustment Shaft Bearing  
 194 - Adjustment Shaft Bearing Support

- 205 - Push Button Control Panel  
206 - Forward Stop Limit Switch Tripper  
207 - Forward Stop Limit Switch Tripper Adjustment Scale  
208 - Forward Stop Limit Switch Tripper Adjustment Locking Knob  
209 - Forward Stop Limit Switch Tripper Mounting Plate  
210 - Reverse Stop Limit Switch Tripper  
211 - Reverse Stop Limit Switch Tripper Shaft  
212 - Reverse Stop Limit Switch Tripper Shaft Spring  
213 - Reverse Stop Limit Switch Tripper Shaft Spring Collar  
214 - Limit Switch Bracket  
215 - Surge Tank  
216 - Pressure Gauge  
217 - Safety Valve  
218 - Petcock  
219 - Air Hose  
220 - Exhaust Muffler  
221 - Stop Gauge Rod  
222 - Bending Leaf Tension Bolt  
223 - Bottom Bar Screw  
224 - Narrow Bending Leaf Bar  
225 - Wide Bending Leaf Bar  
226 - Apron Angle  
227 - Bending Leaf Clamping Angle Screw  
228 - Hinge Pivot Cam  
229 - Hinge Pivot Cam Link  
230 - Hinge Pivot Cam Link Pin  
231 - Hinge Pivot Cam Link Clevis  
232 - Hinge Pivot Cam Link Clevis Pin  
233 - Link Top Shaft Spring  
234 - Link Top Shaft Washer  
235 - Link Top Shaft Nut  
236 - Bottom Tie Rod  
237 - Bottom Tie Rod Nut  
238 - Top Tie Rod  
239 - Top Tie Rod Nut  
240 - Bending Leaf Cylinder  
241 - Bending Leaf Cylinder Bracket  
242 - Bending Leaf Valve  
243 - Pressure Switch  
244 - Hinge Lever Arm  
245 - Hinge Lever Arm Clevis  
246 - Hinge Lever Arm Clevis Pin  
247 - Left Hand Flipper Die  
248 - Left Hand Flipper Die Body  
249 - Right Hand Flipper Die  
250 - Right Hand Flipper Die Body  
251 - Flipper Die Body Clamping Screw  
252 - Bending Leaf Cylinder Bracket Pin  
253 - Bending Leaf Cylinder Clevis  
254 - Bending Leaf Cylinder Clevis Pin  
255 - Clamping Cylinder Clevis Bracket  
256 - Clamping Cylinder Clevis Bracket Pin  
257 - Clamping Cylinder Eye  
258 - Clamping Cylinder  
259 - Clamping Cylinder Eye Bracket  
260 - Clamping Cylinder Eye Bracket Pin  
261 - Adjustment Worm Box Bearing  
262 - Adjustment Worm Box - Right  
263 - Adjustment Worm Box - Right - Bearing Retainer - Outer  
264 - Adjustment Worm Box - Right - Bearing Retainer - Inner  
265 - Adjustment Worm Box - Left  
266 - Adjustment Worm Box - Left - Bearing Retainer - Outer  
267 - Adjustment Worm Box - Left - Bearing Retainer - Inner  
268 - Adjustment Worm Gear Take-Up Washer  
269 - Adjustment Worm Gear Take-Up Washer - Bolt  
270 - Adjustment Shaft Sprocket  
271 - Adjustment Shaft Drive Chain  
272 - Adjustment Motor Sprocket  
273 - Clamping Handle Extension  
274 - Top Shaft Collar  
275 - Top Assembly  
276 - Apron  
277 - Main Gear Pinion-Guard  
278 - Gear Key  
279 - Collar  
280 - Rack Roller Housing Bushing  
281 - Hinged Gear Cover - Rear  
282 - Bottom - Weldment  
283 - Front Screw Support  
284 - Front Screw Support Bushing  
285 - Bending Leaf Counter Balance Weight  
286 - Bending Leaf Counter Balance Weight Rod  
287 - Adjustable Stop  
288 - Stop Gauge Guide  
289 - Bending Leaf Angle Scale  
290 - Bottom-Assembly  
291 - Former 5/8"  
292 - Former 1"  
293 - Former 1-5/8"  
294 - Former 2-1/4"  
295 - Former 3"  
296 - Former Clamps  
297 - Adjustment Chain Guard  
305 - Control Panel  
306 - Back Gauge Table  
307 - Back Gauge Support Arms  
308 - Air Lubro Unit Consisting Of Parts - 104 - 105 - 106  
309 - Foot Switch  
310 - Main Selector Switch  
311 - Auxilliary Selector Switch  
312 - Limit Switch  
313 - High Back Gauge  
314 - Medium Back Gauge  
315 - Low Back Gauge  
316 - Bending Leaf Striker Bar  
317 - Bending Leaf Striker Bar Insert  
318 - Adjustment Motor Coupling  
319 - Adjustment Block End Plate  
320 - Eccentric Shaft End Plate  
321 - Drive Shaft Cover  
322 - Eccentric Shaft Collar  
323 - Main Shaft Bearing  
324 -  
325 - Clamping Limit Switch  
326 - Clamping Limit Switch Tripper  
327 - Flipper Die Pin  
328 - Clamping Cylinder Bracket Mounting Block  
329 - Bending Leaf Limit Switch Tripper - Under 90°  
330 - Bending Leaf Limit Switch Tripper - Over 90°  
331 - Bending Leaf Limit Switch Tripper - 90°  
332 - Limit Switch Tripper Locking Knob  
333 - Drive Shaft Coupling  
334 - Drive Shaft Flange Bearing  
335 - Intermediate Shaft Collar  
336 - Top Adjustment Gear Speed Reducer  
337 - Bottom Assembly Adjustment Block  
338 - Floor Plate Angle  
339 - Weight Rod Bracket  
340 - Slot Casting Bushing  
341 - Adjustment Screw/Speed Reducer Coupling  
342 - Link Bushing  
343 - Bending Leaf Air Cylinder Bracket  
344 - Eccentric Shaft Bushing  
345 - Flange Bushing  
346 - Drive Shaft Support  
347 - Template Mounting Plate  
348 - Rack Bushing  
349 - Hinge Bushing  
350 - Rack Guard  
351 - End Plate Lug Pin  
352 - Adj. Motor Mounting Channel  
353 - Sectional Adj. Screw Block - Rear  
354 - Sectional Adj. Screw Block - Front